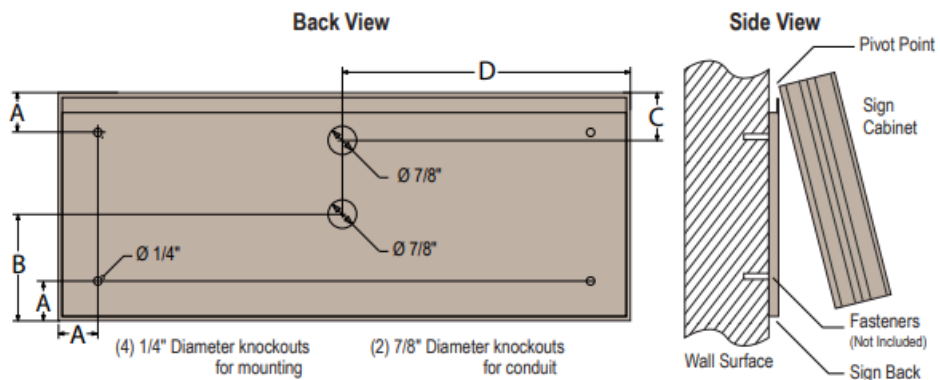


Mount - Standard Lift'n Shift Wall Mount

Lift'n Shift Wall Mount - Integrated into many of our product lines, the Lift'n Shift wall mount makes installation very simple. Just remove the two screws on the bottom of the sign to remove the back panel. Mount the back panel using the knock-outs for mounting holes and supplying power. Next, hang the sign from the top hinge as you make your electrical connections. Close the sign and replace the screws you removed earlier.



All dimensions measured from the edge of the cabinet

Cabinet High x Wide (Inches)	Dimension A Mounting Holes Vertical & Horizontal	Dimension B Center 7/8" Knock-out Vertical	Dimension C Top 7/8" Knock-out Vertical	Dimension D Center Knock-outs Horizontal (Half of Sign Width)
7 x 7	1 1/4"	3 1/2"	1 1/4"	3 1/2"
7 x 18	1 1/4"	2"	1 1/4"	9"
7 x 26	1 1/4"	3 1/2"	1 1/4"	13"
7 x 34	1 1/4"	3 1/2"	1 1/4"	17"
7 x 42	1 1/4"	3 1/2"	1 1/4"	21"
9 x 26	1 1/4"	4 1/2"	1 1/4"	13"
10 x 10	1 1/4"	5"	1 1/4"	5"
10 x 26	1 1/4"	5"	1 1/4"	13"
12 x 12	1 1/4"	6"	1 1/4"	6"
14 x 18	1 1/4"	7"	1 1/4"	9"
14 x 26	1 1/4"	7"	1 1/4"	13"
14 x 34	1 1/4"	7"	1 1/4"	17"
14 x 42	1 1/4"	7"	1 1/4"	21"
18 x 18	1 1/4"	9"	1 1/4"	9"