

# PORTABLE POST WITH PLASTIC BASE

## Sign Sizing Guide

18: use with signs 24" x 24" or smaller  
*recommendation based on ballast of 80 lbs.*

24: use with signs 26"W x 38"H or smaller  
*recommendation based on ballast of 150 lbs.*

## Hardware Provided:

Hardware to attach sign included

1 ea. Hex Bolt Zinc 3/8 x 5

2 ea. Hex Bolt Zinc 3/8 x 2-1/2

2 ea. Washer 3/8

3 ea. Locknut 3/8-16

1 ea. Black Vinyl Cap for top of post

## Fill Base With Silica Sand:

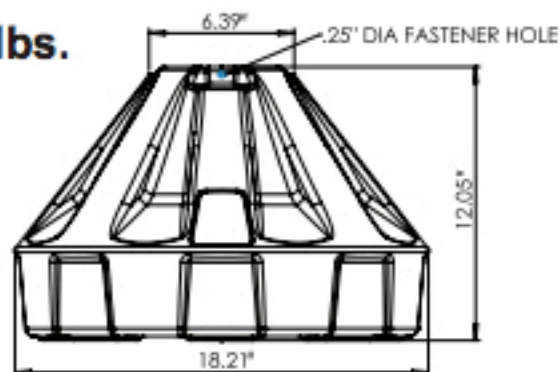
18: fill base with 60 - 80 lbs. of sand

24: fill base with 150 - 180 lbs. of sand

*filling base with water is not recommended*

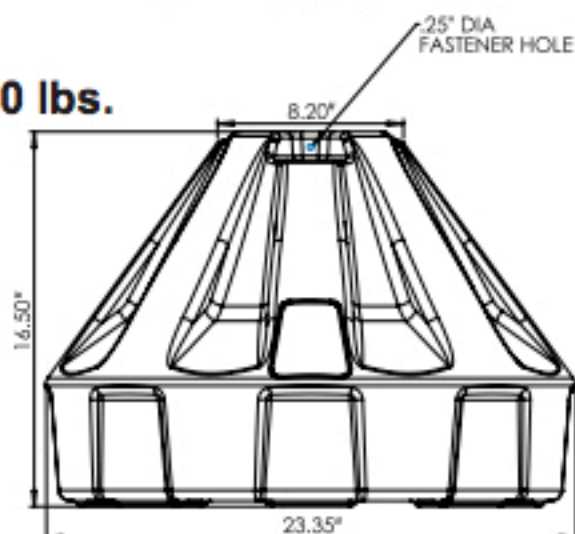


**7 lbs.**



**Roll-A-Post 18**

**10 lbs.**



**Roll-A-Post 24**



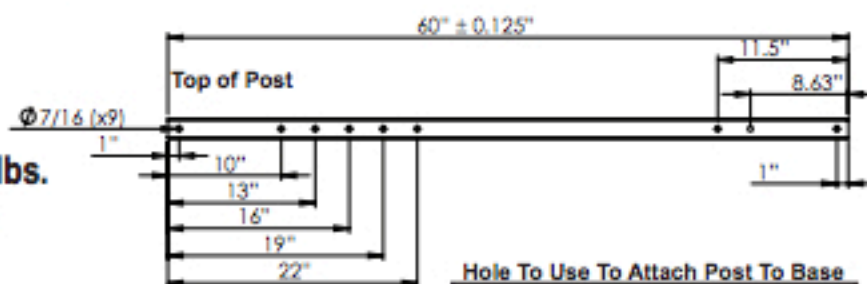
## The Power Post™ Advantage

- 60" or 72" square post, available in white and black
- Reinforced plastic square post is stronger and more stable than round
  - 15% greater wind resistance than round posts
  - 10 times more surface area contact between sign and post
  - no sign twisting on post, no post rotating in base
  - impact resistant post has reinforcing center crossbars
- Lightweight and will never rust
- Pre-drilled holes for multiple sign sizes

## Two Post Lengths: 60" and 72"

1.75"W

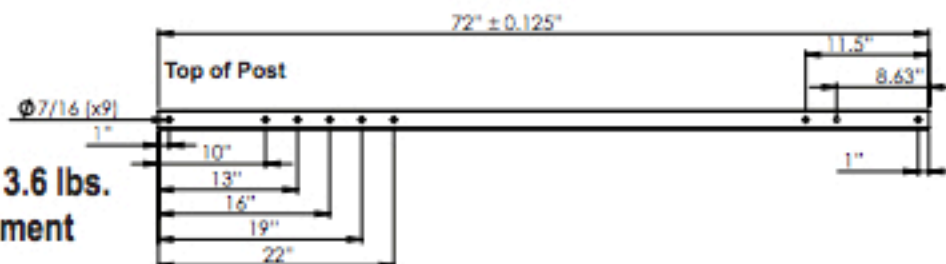
**60"L Post, 3.25 lbs.**  
**Hole Placement**



Hole To Use To Attach Post To Base	
Roll-A-Post 18	8.63" from post bottom
Roll-A-Post 24	11.5" from post bottom
Rubber Bases	1" from post bottom

1.75"W

**72"L Post, 3.6 lbs.**  
**Hole Placement**



Post Size	60"	72"
	Installed Height	
Roll-A-Post 18	63.7"H	*75.7"H
Roll-A-Post 24	65"H	77"H
Rubber: 30, 60, 90 lbs.	60"H	*72"H

\* 72" post is not recommended for the Roll-A-Post 18 or the 30 lb. rubber base.