

WATER FILLED BARRICADE SYSTEM LONGITUDINAL CHANNELIZING DEVICE

✓ MASH APPROVED



- 60" L x 36" H channelizing device, fillable with water or sand
- Durable construction, impact resistant
- Conforms to any roadway design, can turn 90°
 - tongue and groove assembly
 - linked units secured with connector pin
 - quick assembly and breakdown
- Lightweight, 50 lbs. when empty
 - no heavy machinery needed for installation
- Stackable for transport and storage
 - 820 LFT/truck (164 units)
- Forklift access, recessed areas at bottom of barricade
 - can be moved while filled with water
- Fill with up to 72 gallons of water
 - every unit is leak tested
- Light pocket for standard barricade light, use 5" light bolt
- Accepts optional fence panels
 - 55"W fencing with 8'H - 3" diameter posts
- Area for applying retroreflective striped sheeting
- Standard in orange and white
 - custom colors available
- MASH Accepted WZ-387, Meets MUTCD Standards

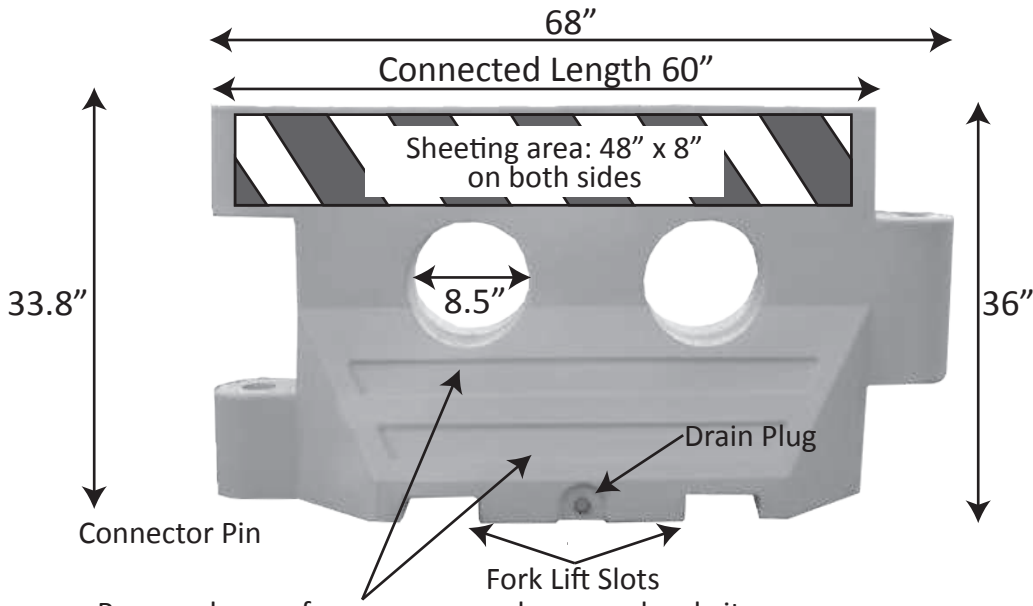
90° Turns



Stackable for storage and transport

PLASTICADE®

WATER FILLED BARRICADE SYSTEM

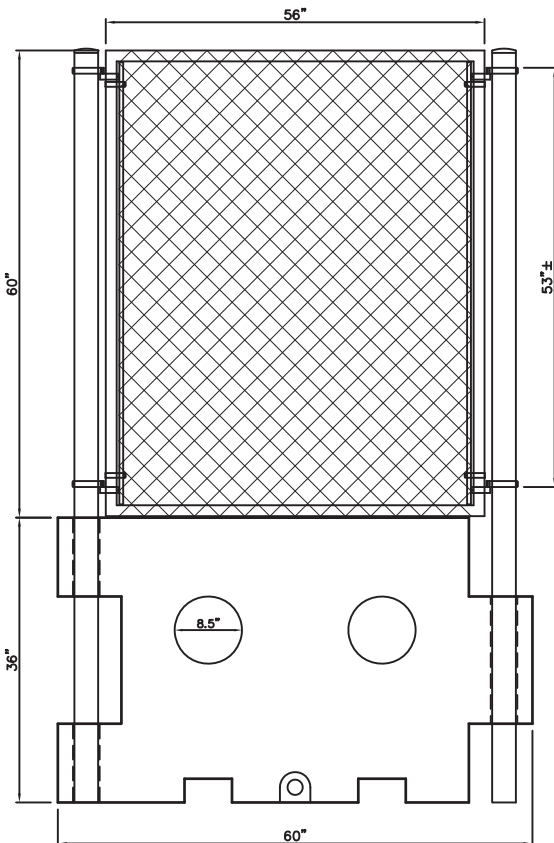


Recessed areas for your name, phone, and website.
38" x 2.75" and 32" x 2.75"

Light Box Dimensions: 8" L x 4" W x 5" H

Specs

Composition	Medium density polyethylene
Dimensions	68" L x 24" W x 36" H Top Width: 7 5/8"
Weight	Empty - 50 lbs. Water filled - 683 lbs. Connector pin - 3 lbs.
Wall Thickness	.125 +/- 20%
Retroreflective Sheeting	Striped sheeting in engineer grade or high intensity prismatic grade
Color	Orange and white Custom colors available at no additional charge, 40 piece minimum



Optional fencing comes with clamps, posts and hardware.



TRAFFIC SAFETY WAREHOUSE
The Best in Safety for Less

TrafficSafetyWarehouse.com

(847) 966-1018

MADE IN THE USA