

COMPACT SINGLE SPRING SIGN STANDS FOR ROLL-UP SIGNS

MASH APPROVED



Heavy Duty
Single Spring



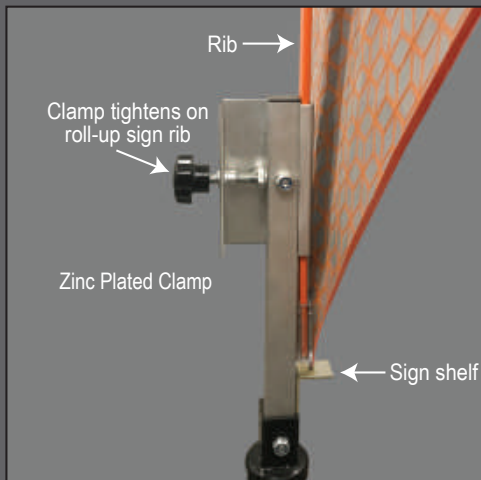
Model SS310
Steel Legs



Model SS310A
Aluminum Legs

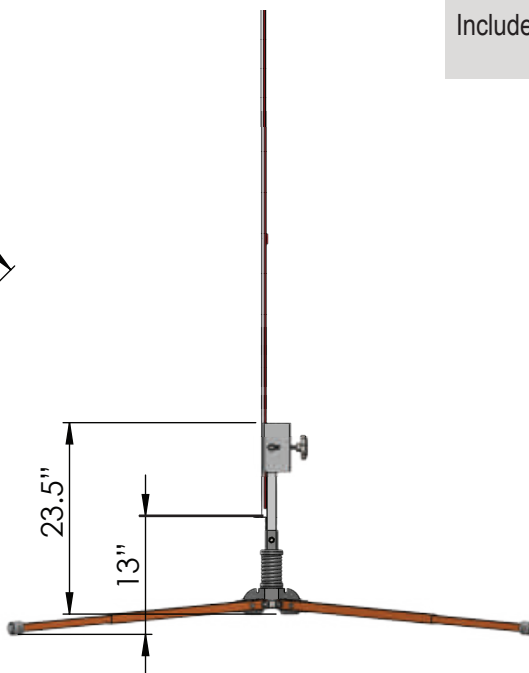
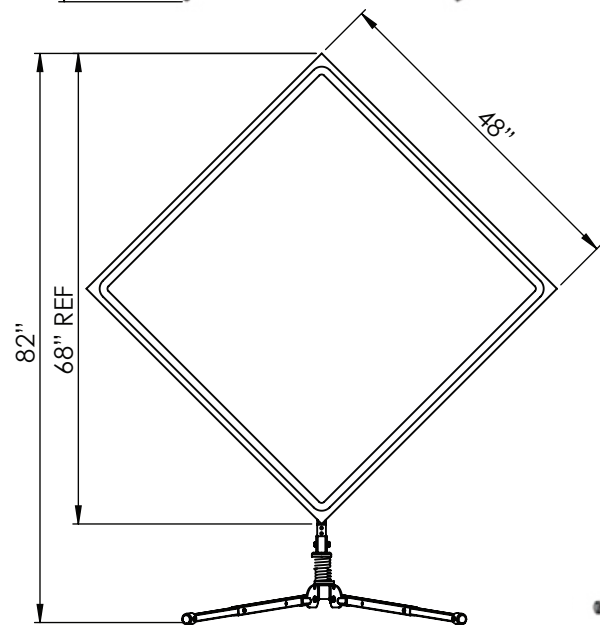
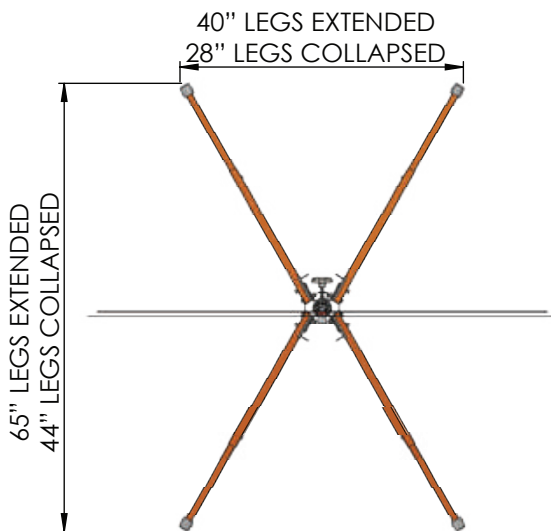
Universal Sign Clamp for Roll-Up Signs
(patent pending)

- Holds roll-up signs 36" & 48"
 - universal compact sign clamp, zinc plated steel, grabs and tightens on roll-up rib
- Automotive grade steel spring
 - designed to perform in extreme weather conditions without fatiguing or breaking
 - E-coated for maximum rust and corrosion resistance
- Legs are extendable
 - lock in multiple positions to adjust to uneven ground
- Non-skid rubber feet
- Replacement parts and assemblies available
- MASH Accepted
 - SS310 for 48" roll-up signs, WZ-352
 - SS310A for 48" roll-up signs, WZ-429
- Meets MUTCD Standards



PLASTICADE®

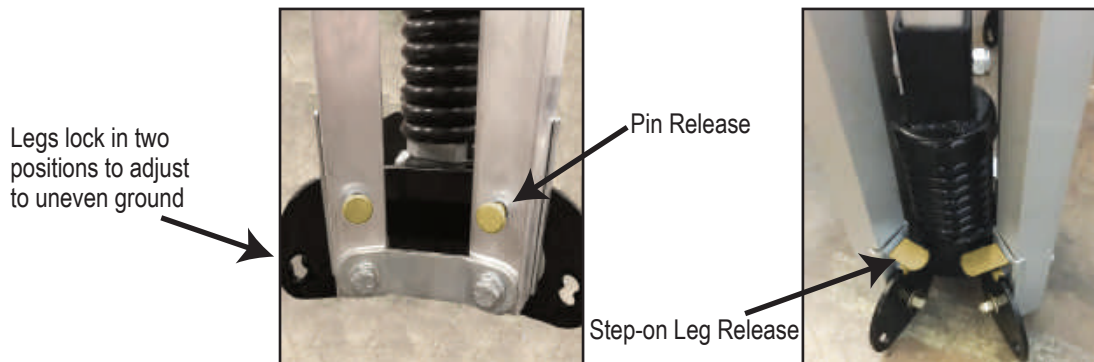
COMPACT SINGLE SPRING SIGN STANDS FOR ROLL-UP SIGNS



Specs

Material	Steel - Orange Powder Coated Aluminum
Model SS310	Steel - Orange Powder Coated Aluminum
Model SS310A	Aluminum
Sign Mounting Height	13" from ground
Top of 48" Sign	82" H maximum
Carton Size	7" x 7.5" x 25
Size Open legs collapsed footprint	28" x 44"
Size Open legs fully extended footprint	40" x 65"
Weight	
Model SS310	23 lbs.
Model SS310A	18 lbs.
Included Bracket	Universal Roll-Up Sign Clamp

LEG RELEASE SYSTEM



TRAFFIC SAFETY WAREHOUSE
The Best in Safety for Less

TrafficSafetyWarehouse.com

(847) 966-1018