



**Fast-3350 VMS**

**RU2 Systems, Inc.**

**The Leader in Speed Display Technology**

# RU2 Fast-3350

**VMS Radar Speed Display Trailer**



The RU2 Fast-3350 VMS Series Speed Display Trailer has a 30" x 50" full graphic, medium density LED array capable for 1 to 3 lines of text, full graphic characters and complex animation. The VMS display sign folds down creating a lower trailer profile for easy transport and storage. Standard features include high speed blanking, flashing digit violator alert and traffic management arrows, a basic VMS message library and customization software for both text and animation.

Optional features include solar power assist, digital video photo enforcement system and, our RU2 Systems Data Acquisition Package, which records the time, date and speed of oncoming vehicles without the use of cumbersome pneumatic tubes placed across the street!

**RU2 Systems: The Industry Leader in Speed Display Technology**



# RU2 Fast-3350 VMS

## Variable Message Radar Speed Display

### Standard Features:

- Medium density LED matrix with individual LED control  
48 rows / 80 columns - 3,840 LEDs
- 30" x 50" active area; 2.56 LEDs per square inch
- Up to 30" Amber AllnGaP LED digits  
One to Three lines of text; 1 @ 19", 2 @ 13", 3 @ 9"
- RU2 "VMS Creator" software included  
Over 500 frames of animation / scrolling
- On-line Message/Animation library
- Display protected by 3/16" smoked, non-glare GE Lexan®
- Automatic intensity adjustment to ambient light conditions
- Single directional K-band radar unit
- Keyed On/Off switch
- Four (4) AGM aviation grade batteries (396 A/Hrs. total)
- "Presence Only" VMS mode for power conservation
- Unit defaults to last settings upon power up

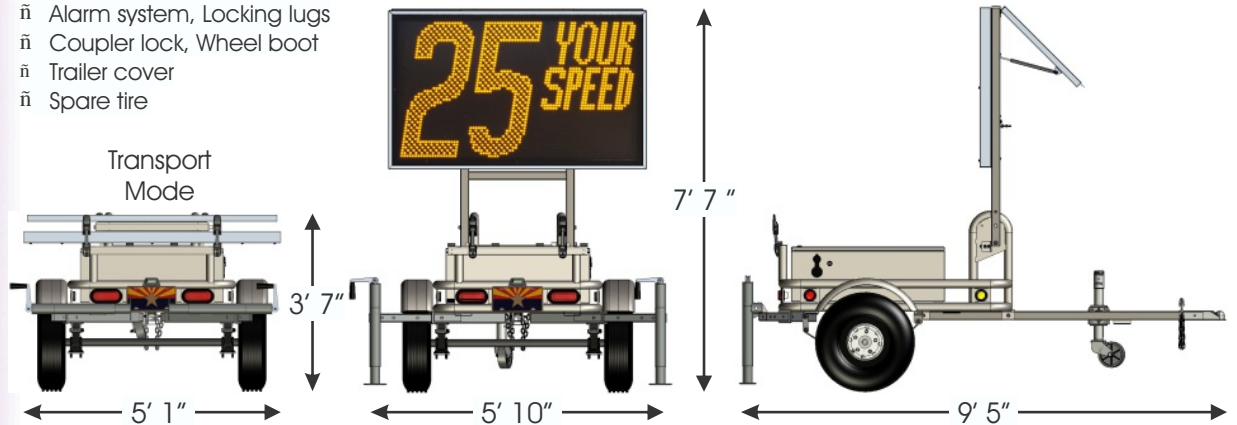
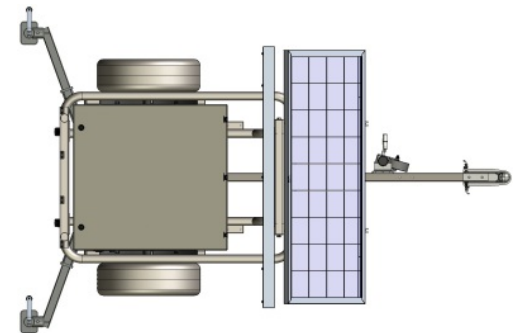


### Construction:

- 2"• tubular steel space-frame chassis
- Polyester powder coat finish over high zinc epoxy primer
- (2) Extendable outrigger stabilizers with a swing down swivel tongue jack
- 4.80 x 13 ST tires on 5 lug automotive type hubs
- 2" Class II ball coupler
- Full 7" wide, 14 gauge steel fenders
- 2000 lb. rated axle
- Leaf spring suspension
- Taper roller bearings
- Curb Weight: ~900 lbs.

### Options Available:

- Solar power – 80/140/280 Watt panel(s)
- Sawtooth machined aluminum wheels
- GPS Vehicle Theft Deterrent System
- Data acquisition package for Counting & Clocking oncoming vehicles
- Alarm system, Locking lugs
- Coupler lock, Wheel boot
- Trailer cover
- Spare tire



Technical specifications are subject to change without notice.

**WARRANTY:**  
 RU2 Systems warrants their LED Displays for Five Years. The Radar Gun is warranted for Two years. On-site labor is not included. However, parts are repaired within five business days of receipt, and include ground-shipping expenses. Warranty does not include physical damage from misuse or vandalism.