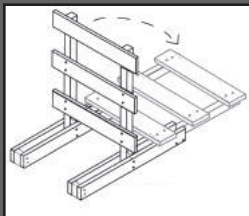


TYPE III BARRICADES

PLASTICADE[®] BREAK-AWAY



- All Plastic Type III Barricade available in 5 different board lengths
- Collapsible, making it easy to transport and store
- MASH Accepted WZ-299, Meets MUTCD Standards



Assembled, the Break-Away Type III Barricade easily folds down for transport and storage

SENTINEL[™]

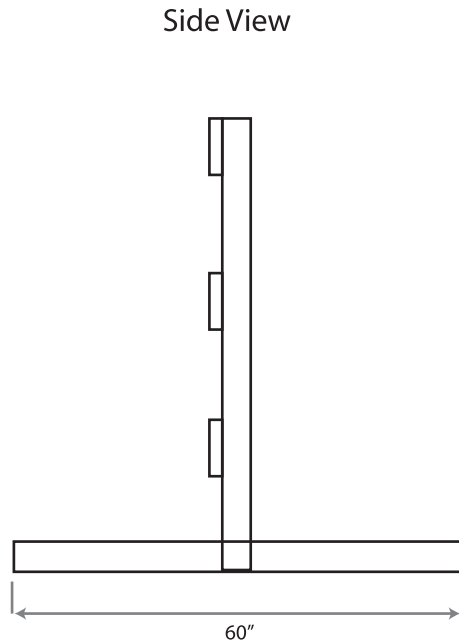
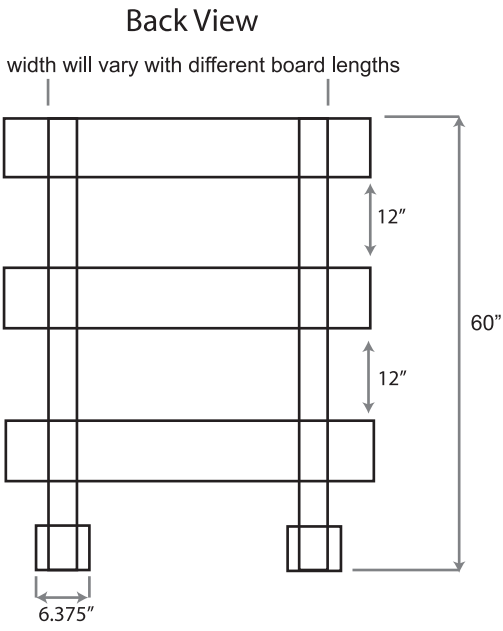


- All Plastic Type III Barricade available in 4' and 6' board
- Easy to assemble, consists of 2 pieces, upright and base, that snap together, no hardware required
- Base can be internally ballasted with sand or water in warmer climates
- MASH Accepted, WZ-302 Meets MUTCD Standards

PLASTICADE[®]

Plasticade.com

Break-Away™ Type III Barricade

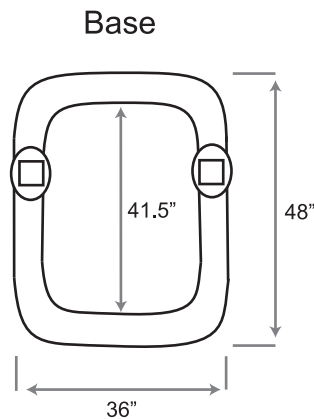
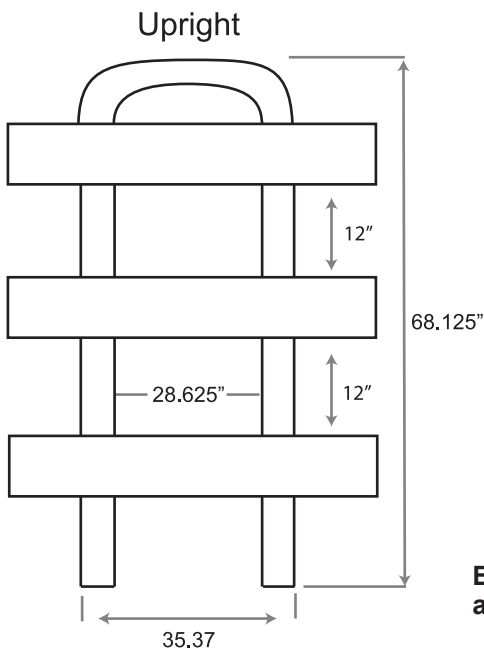


Specs

Composition	High Density Polyethylene
Available Board Sizes	1" x 8" x 4' 1" x 8" x 6' 1" x 8" x 8' 1" x 8" x 10' 1" x 8" x 12'
Reflective Sheeting	Available in all grades - in left, right, or chevron stripes

The Break-Away Barricade is sold in kits with 3 boards with your choice of sheeting. All hardware needed for assembly is included in the kit.

Sentinel™ Type III Barricade



Boards and Hardware for the Sentinel are sold separately.

Specs

Composition	High Density Polyethylene
Available Board Sizes	1" x 8" x 4' 1" x 8" x 6'
Reflective Sheeting	Available in all grades - in left, right, or chevron stripes

TRAFFIC SAFETY WAREHOUSE
The Best in Safety for Less

TrafficSafetyWarehouse.com

(847) 966-1018

MADE IN THE USA