

COMBOCADE[™]

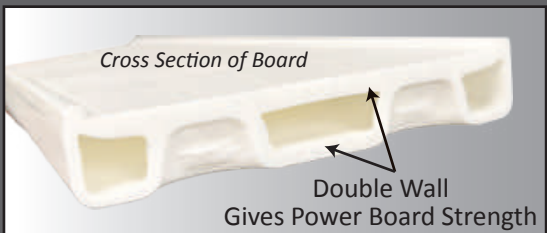
TYPE I AND TYPE II BARRICADE

Steel leg barricade
with plastic boards

**NEW
50%
STRONGER
BOARDS**

New Plastic Power[™] Boards Eliminate Broken Boards 50% Stronger

- New double wall boards are extremely durable
 - stronger and more robust
 - boards hold their shape, won't crack under weight of a sandbag
 - new strong, reinforced bolt/rivet holes
- Combocade's replaceable components save you money!
 - boards can be easily replaced
 - holes are molded in, just punch them out to replace board
 - legs can be replaced or repaired
- Standard 45" steel legs, 14 gauge thickness
 - galvanized finish for corrosion protection
- Boards available in 24"W x (12"H, 8"H, or 6"H)
- MASH Accepted, WZ-406, Meets MUTCD Standards

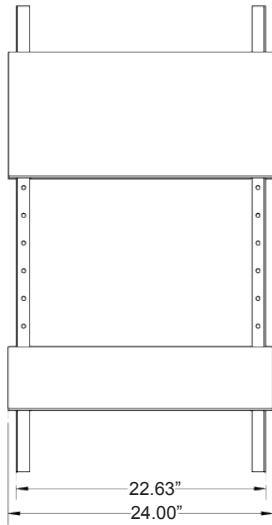


Power[™] Boards Eliminate Broken Boards!

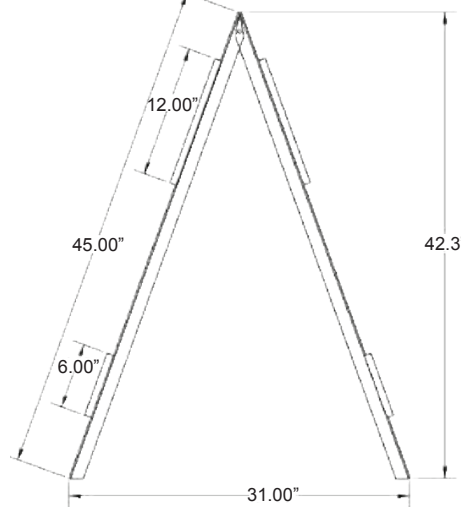
COMBOCADE™

TYPE I & TYPE II BARRICADE

Front View



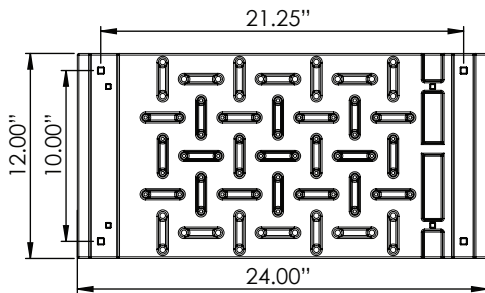
Side View



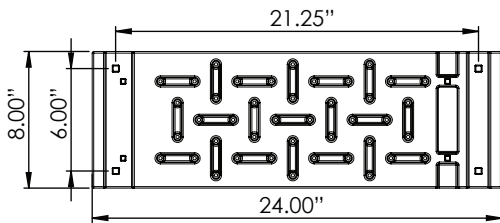
Specs

Dimensions	45"H x 24"W x 2 1/2"D
Leg Composition	Roll Formed Steel, Galvanized, white powder coated by special order
Leg Weight	2.2 lbs.
Leg Thickness	14 gauge - 1 1/4"
Board Composition	High Density Polyethylene
Board Sizes	12"H x 24"W - 2.2 lbs. 8"H x 24"W - 1.5 lbs. 6"H x 24"W - 1.1 lb.
Board Thickness	0.65" D
Board Color	White
Reflective Sheeting	Available in all grades in white and orange stripes

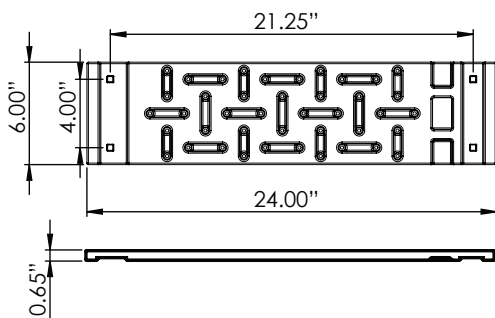
24"W x 12"H Board



24"W x 8"H Board



24"W x 6"H Board



Leg hinge holes accept 1/2" light mounting bolt

You pick your board sizes & sheeting grade

Board Stenciling Available



Purchase barricades fully assembled or as component parts. Names can be stenciled on the boards for identification

TRAFFIC SAFETY WAREHOUSE
The Best in Safety for Less

TrafficSafetyWarehouse.com

(847) 966-1018