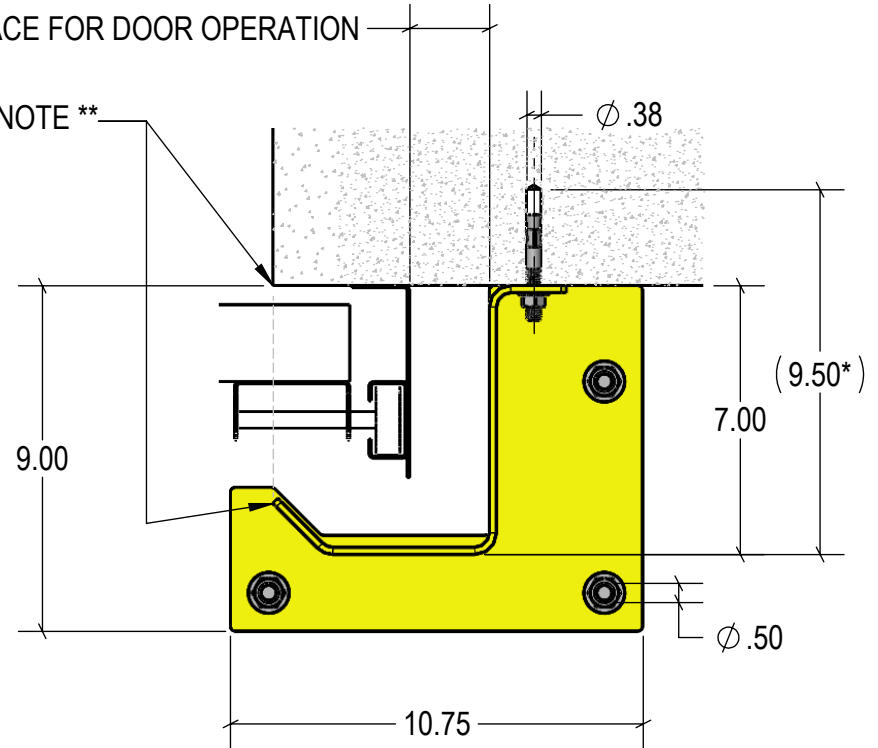


ENSURE ADEQUATE SPACE FOR DOOR OPERATION

SEE NOTE **



STEP 1: POSITION GUARD INTO DESIRED LOCATION


STEP 2: FASTEN TO WALL WITH MINIMUM 3/8" x 2-3/4" CONCRETE ANCHORS OR OTHER SUITABLE FASTENER. SEE TABLE BELOW FOR FASTENER QTY.

STEP 3: FASTEN TO FLOOR WITH MINIMUM (3) 1/2" x 3-3/4" CONCRETE ANCHORS OR OTHER SUITABLE FASTENER

* A LONG DRILL BIT MAY BE REQUIRED DEPENDING ON SURROUNDING CONDUIT OR EQUIPMENT

** ALIGN LEADING EDGE OF TRACK PROTECTOR TO MAXIMIZE DOOR TRACK PROTECTION, WITHOUT INTERFERING WITH LOADS GOING THROUGH THE DOOR

UNIT HEIGHT	WALL FASTENER QTY.
24"	2
36"	3
48"	3

		 3rd Angle	SIZE: A	
DESCRIPTION: TRACK PROTECTOR INSTALLATION INSTRUCTIONS				
SCALE: 1:25	SHEETS: 1 of 1	DRAWING NUMBER: 60-50XX-INSTALL_R1.PDF		REV: 1