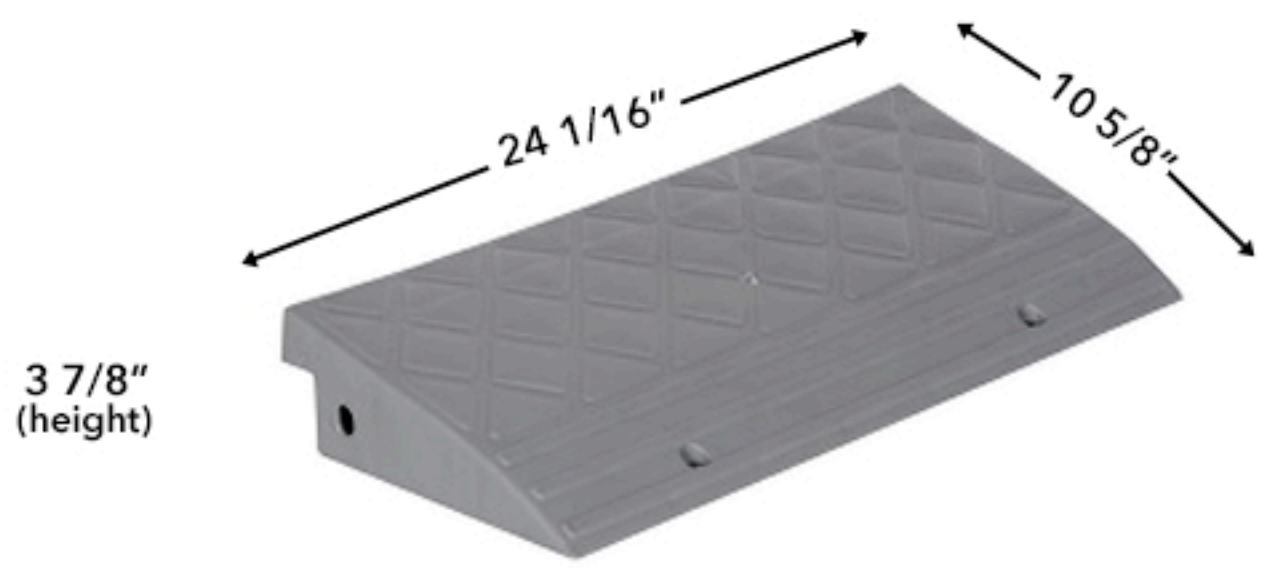
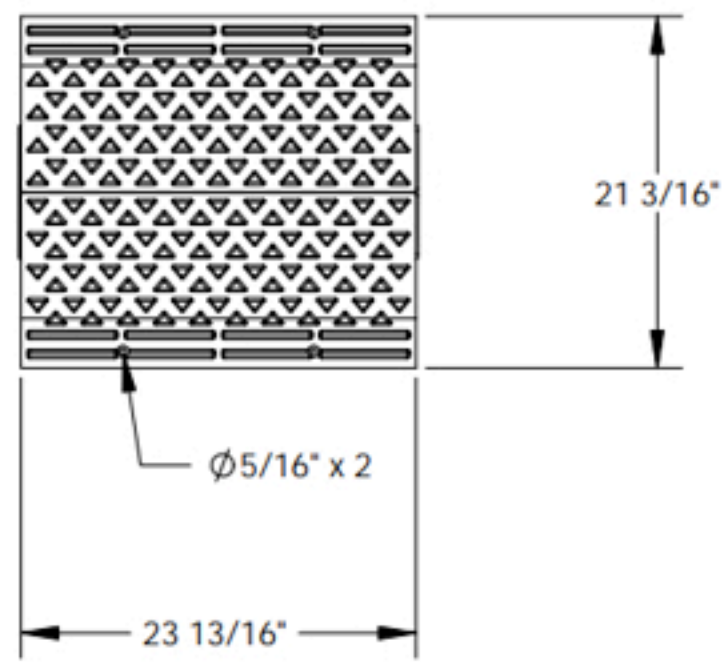


# Multi-Purpose Industrial Ramps - 23.8125" x 10.625"



\*Drawing below shows two MPR-2410 W/MPR-connection option\*



CAPACITY IS 5,000 Lbs.  
OVERALL WIDTH IS 24 1/16 inches  
USABLE WIDTH IS 23 13/16 inches  
OVERALL LENGTH IS 21 3/16 inches  
USABLE LENGTH IS 21 3/16 inches  
OVERALL HEIGHT IS 3 7/8 inches

