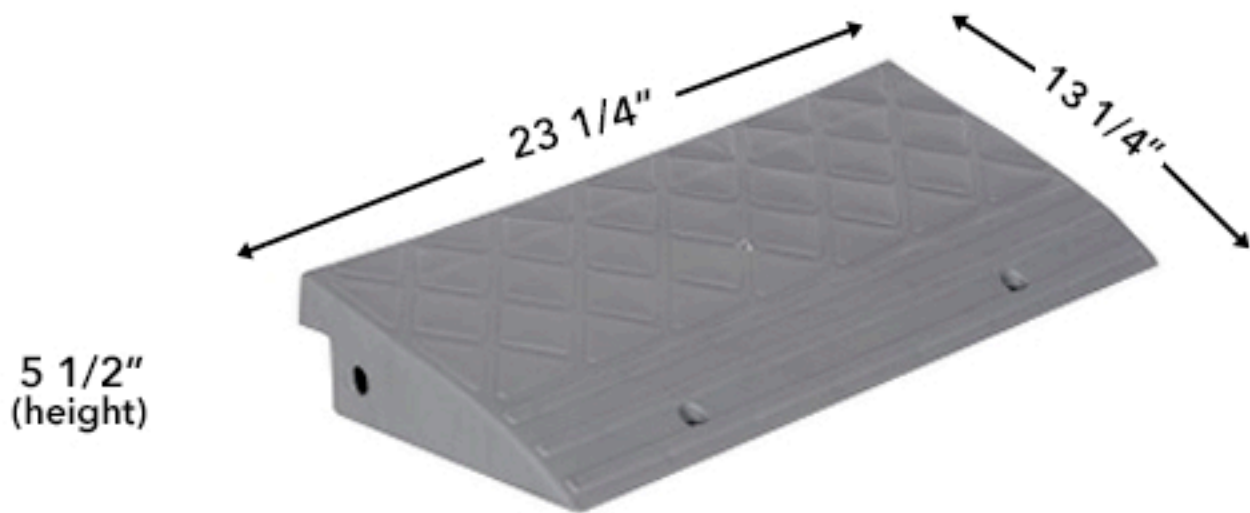
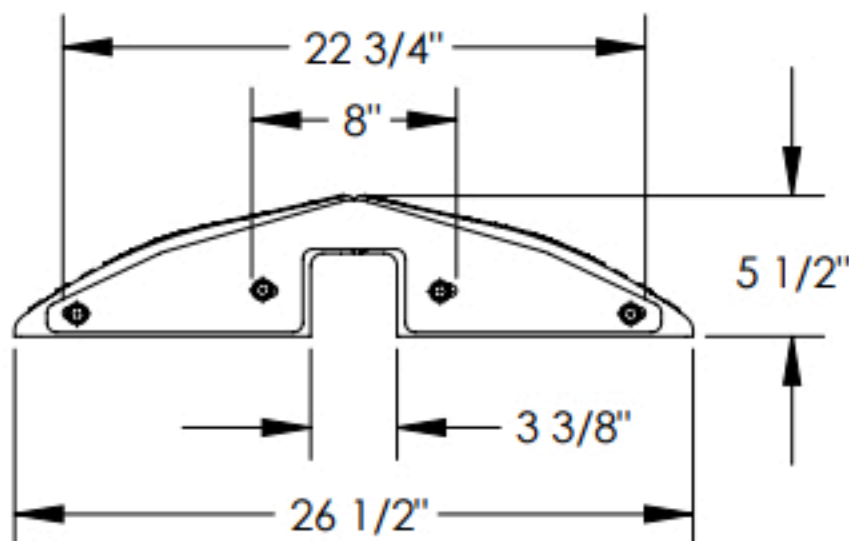


Multi-Purpose Industrial Ramps - 23.75" x 13.25"



Drawing below shows two MPR-2410 W/MPR-connection option



OVERALL WIDTH 23 1/4"
OVERALL LENGTH: 26 1/2"
OVERALL HEIGHT: 5 1/2"
CAPACITY: 5,000 LBS PER RAMP
MATERIAL: UV POLYPROPYLENE

