

INTREPID™ ROLL-UP SIGN STAND

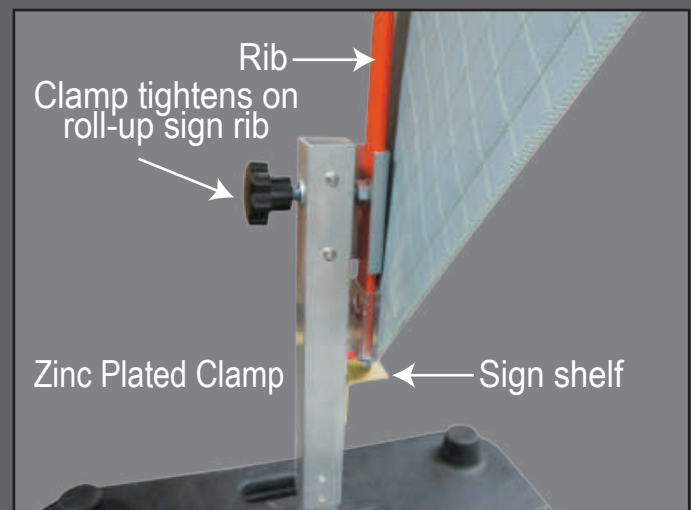
Molded rubber sign stand containing steel base plate and post for mounting of roll-up signs

MASH APPROVED



Model SSRB800

- Holds 36" & 48" roll-up signs
 - universal sign clamp, zinc plated steel grabs and tightens on roll-up rib
- Designed for quick, easy sign relocation
 - clamp portion of post can be separated with sign attached
 - two carry handles
- Low profile and compact
 - no extended legs spreading into traffic
- Heavy recycled rubber base stays in place, 44 lbs.
 - no need for additional ballast
- Post folds flat and locks for transport & storage
 - foot release lever to initiate fold down
 - multiple stacking lugs on rubber base
- MASH Accepted for 48" roll-up signs, WZ-342
- Meets MUTCD Standards



Clamp can be removed with sign attached for quick sign relocation

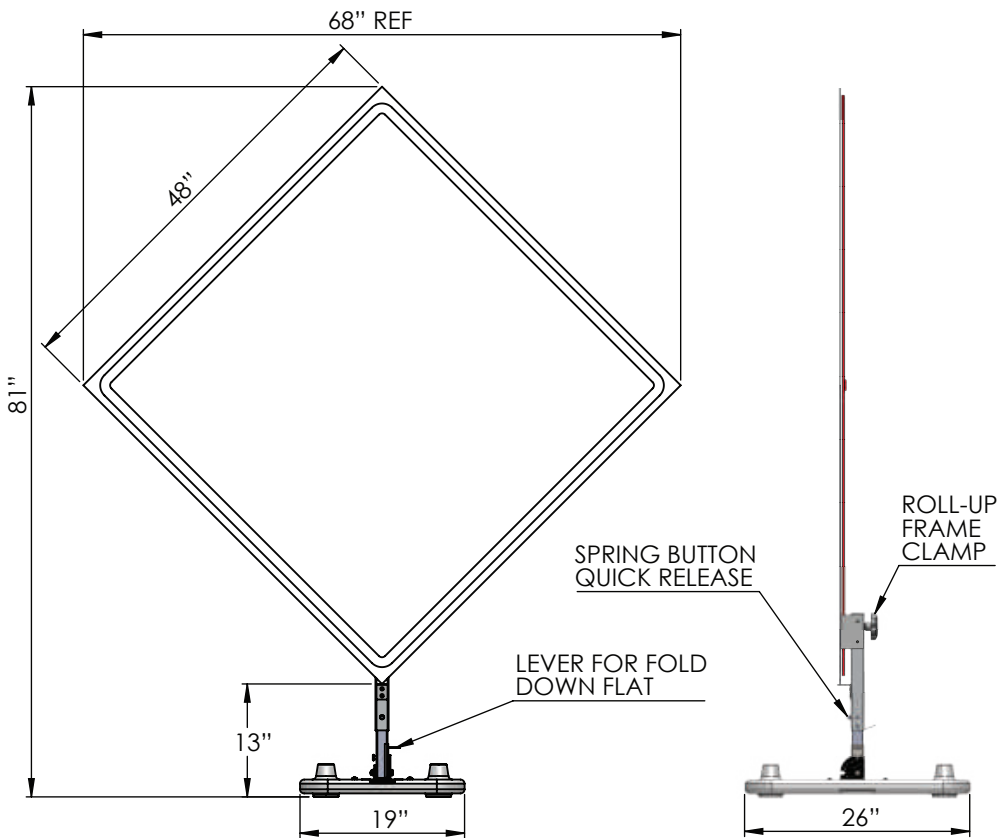


PLASTICADE®

Plasticade.com

TF040 Rev. 3

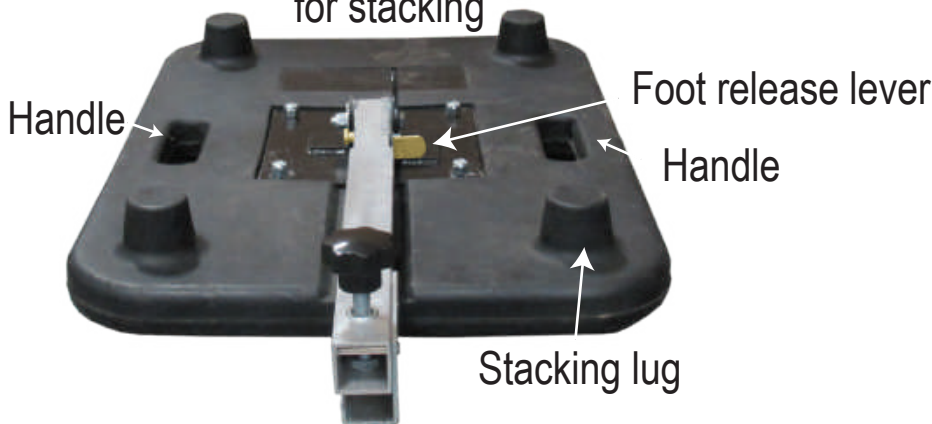
INTREPID™ ROLL-UP SIGN STAND



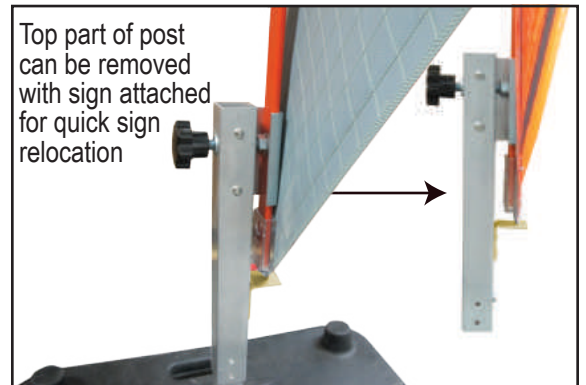
Specs

Material	Model RB800
Base	Recycled rubber and powder coated steel
Post	Aluminum
Sign Mounting Height	13" from ground
Top of 48" Sign	81" H maximum
Size Folded	19"W x 31"D x 7"H
Size Open	19" x 26"
Weight	44 lbs.
Included Bracket	Intrepid Roll-Up Sign Clamp

Post folds and locks for stacking



Clamp can be removed with sign attached for quick sign relocation



TRAFFIC SAFETY WAREHOUSE
The Best in Safety for Less

TrafficSafetyWarehouse.com

(847) 966-1018