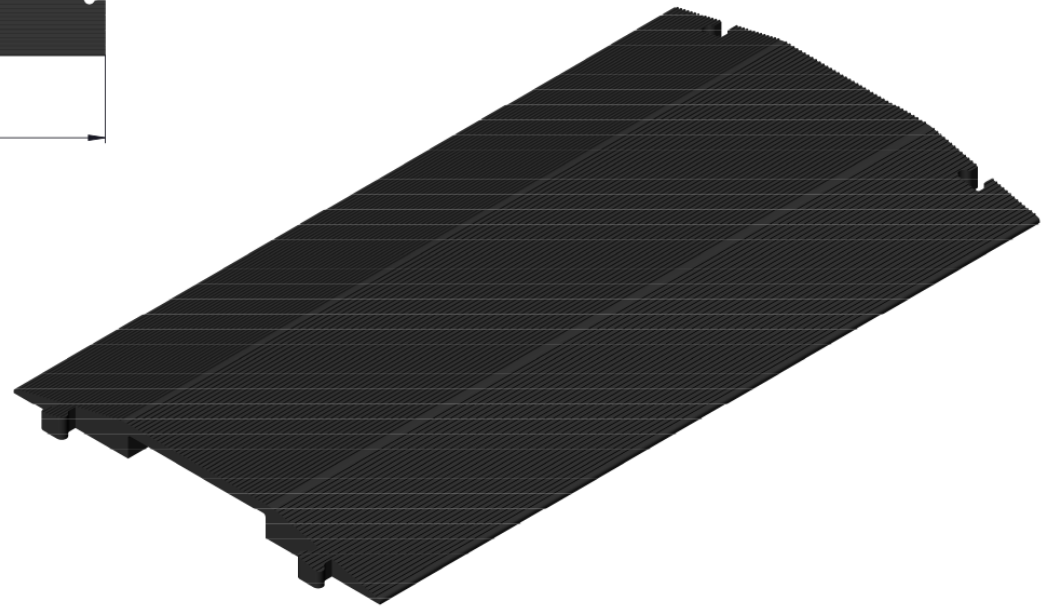
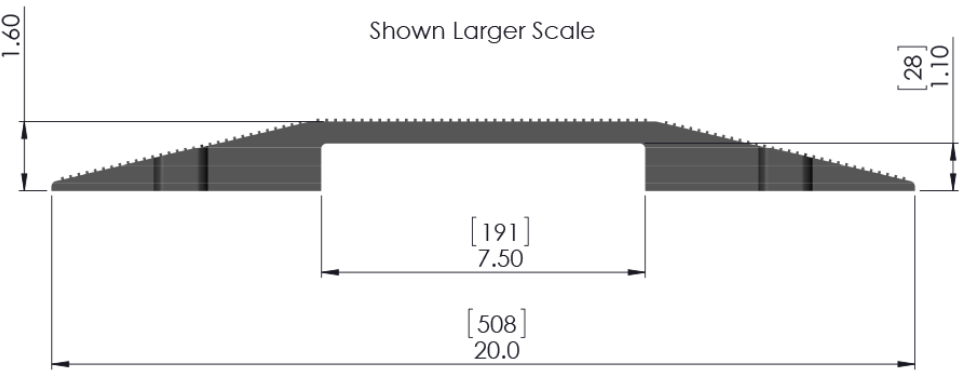
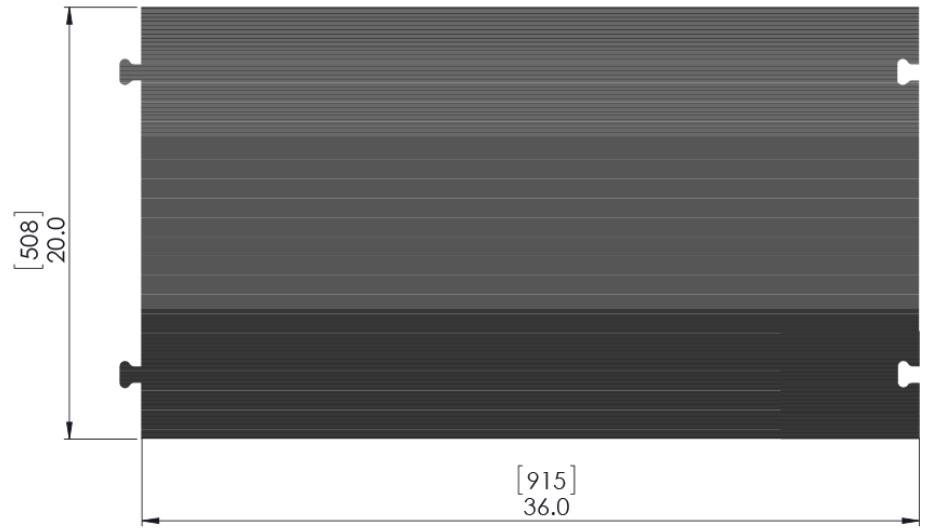


ZONE	REV	DESCRIPTION	DATE	APPROVAL
	1	PRELIMINARY RELEASE	1/23/2017	CN



Technical Data Sheet - ED8200		
Description	Imperial	Metric
Product - Length x Width x Height	36 x 20 x 2.5	915 x 508 x 64
Channel Size	7.5 x 1.6	190 x 40
Product Weight (lbs)	30	13.5
Load Capacity (lbs/axle)	15,000	6,800
Operating Temperature	-20°F up to +140°F	-30°C up to +60°C
Measurements are approximate	Imperial = inches & lbs.	Metric = mm & kg.

Standard Colors - Red or Black
Material - Polyurethane
Durometer - 62 Shore D +/- 5
Manufacture in USA

PROPRIETARY AND CONFIDENTIAL THE INFORMATION CONTAINED IN THIS DRAWING IS THE SOLE PROPERTY OF THE ESAC. ANY REPRODUCTION IN PART OR AS A WHOLE WITHOUT THE WRITTEN PERMISSION OF THE ELASCO IS PROHIBITED.	UNLESS OTHERWISE SPECIFIED: DIMENSIONS ARE IN INCHES TOLERANCES: FRACTIONAL: ± 1/32 ANGULAR: MACH: ± 1° BEND: ± 1° X = ± .1 XX = ± .01 XXX = ± .005	TRAFFIC SAFETY WAREHOUSE <small>The Best in Safety for Less</small> TrafficSafetyWarehouse.com (847) 966-1018
	UNLESS OTHERWISE SPECIFIED DIMENSIONS AND TOLERANCES PER ASME Y14.5M	
TITLE: DropOver ED8200 Red or Black		SIZE: B DWG. NO. ED8200 REV 1
SCALE: 1:6		SHEET 1 OF 1