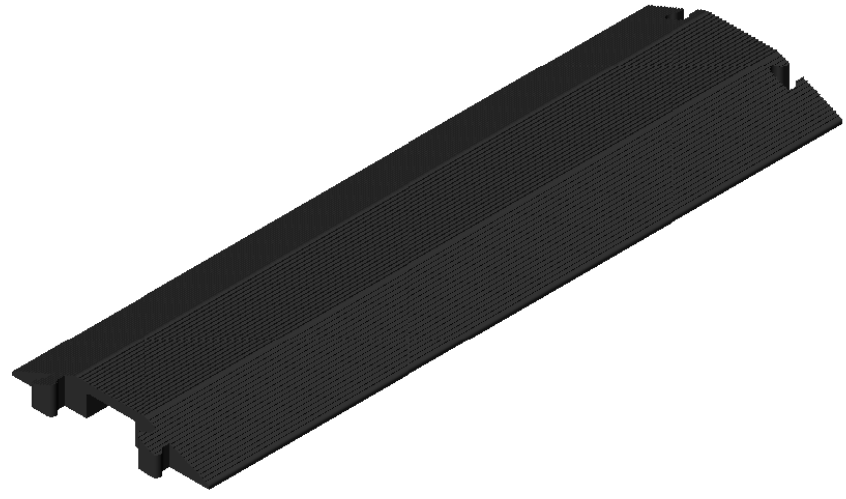
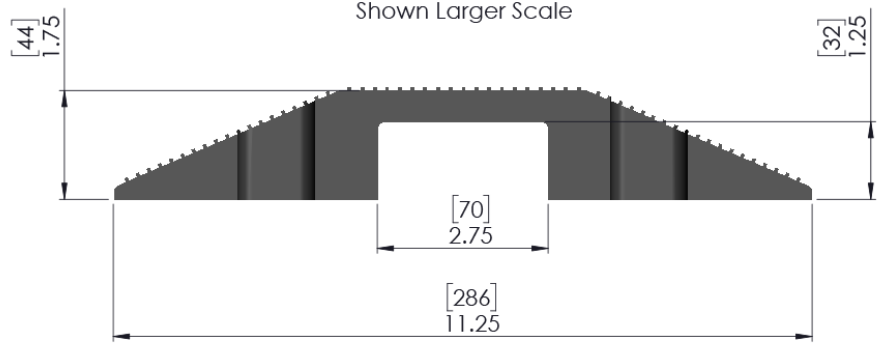
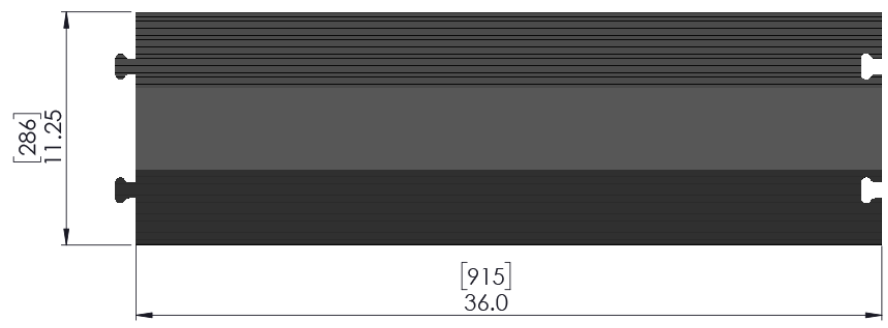


ZONE	REV	DESCRIPTION	DATE	APPROVAL
	1	PRELIMINARY RELEASE	1/23/2017	CN



Technical Data Sheet - ED2010		
Description	Imperial	Metric
Product - Length x Width x Height	36 x 11.25 x 1.75	915 x 285 x 44
Channel Size	2.75 x 1.25	70 x 32
Product Weight (lbs)	15	6.8
Load Capacity (lbs/axle)	25,000	11,340
Operating Temperature	-20°F up to +140°F	-30°C up to +60°C
Measurements are approximate	Imperial = inches & lbs.	Metric = mm & kg.

Standard Colors - Red or Black
Material - Polyurethane
Durometer - 62 Shore D +/- 5
Manufacture in USA

PROPRIETARY AND CONFIDENTIAL THE INFORMATION CONTAINED IN THIS DRAWING IS THE SOLE PROPERTY OF THE ESAC. ANY REPRODUCTION IN PART OR AS A WHOLE WITHOUT THE WRITTEN PERMISSION OF THE ESAC IS PROHIBITED.	UNLESS OTHERWISE SPECIFIED: DIMENSIONS ARE IN INCHES TOLERANCES: FRACTIONAL: 1/32 ANGULAR: MACH ± 1° BEND ± 1° .X = ± .1 .XX = ± .01 .XXX = ± .005	TRAFFIC SAFETY WAREHOUSE <small>The Best in Safety for Less</small> TrafficSafetyWarehouse.com (847) 966-1018
	UNLESS OTHERWISE SPECIFIED DIMENSIONS AND TOLERANCES PER ASME Y14.5M	
SIZE: B DWG. NO. ED2010 REV 1 SCALE: 1:6 SHEET 1 OF 1		