

PRODUCT ID: 8763

Switch

MODEL

TG222-RAG SPST/120VAC

DIMENSIONS

4.5" H x 6.37" W x 1" D (est. 1.001 lbs)

CONSTRUCTION

Finish: Switch plate brushed stainless steel

Switch: Switch with pre-wired pigtails and indicator lights

Switch plate: Stamped stainless steel pre-punched for switch(es) and indicator light(s)

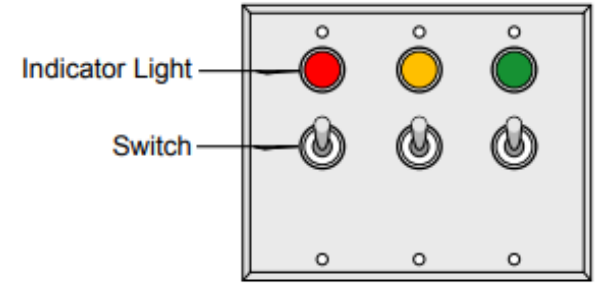
ELECTRICAL

Input Voltage: 120VAC

Product View

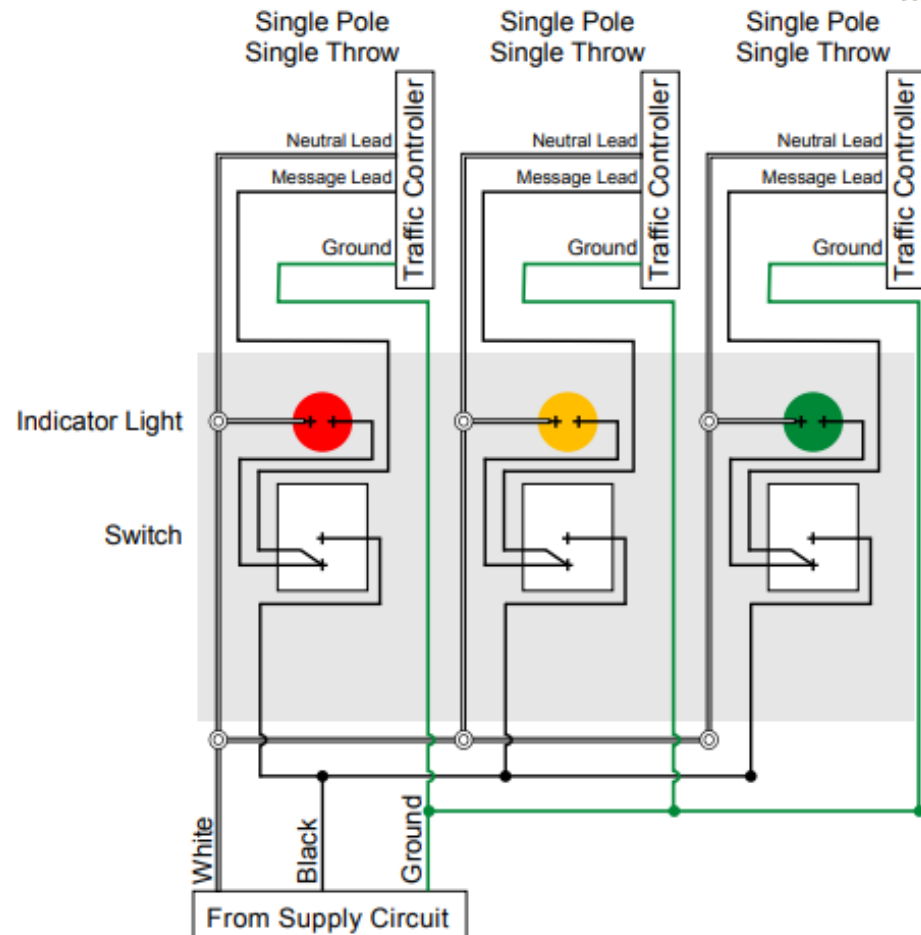
NOTE: Sign image may not exactly represent the finished product. For illustration purposes only.

Front View



Three Gang

Schematic View



TRAFFIC SAFETY WAREHOUSE
The Best in Safety for Less

TrafficSafetyWarehouse.com

(847) 966-1018