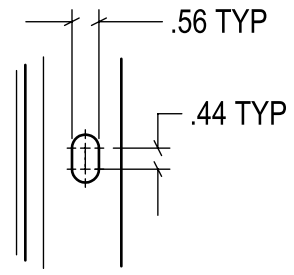
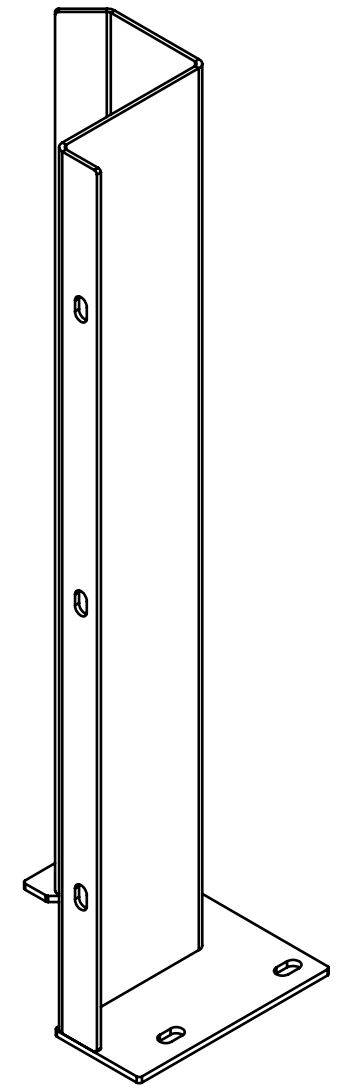
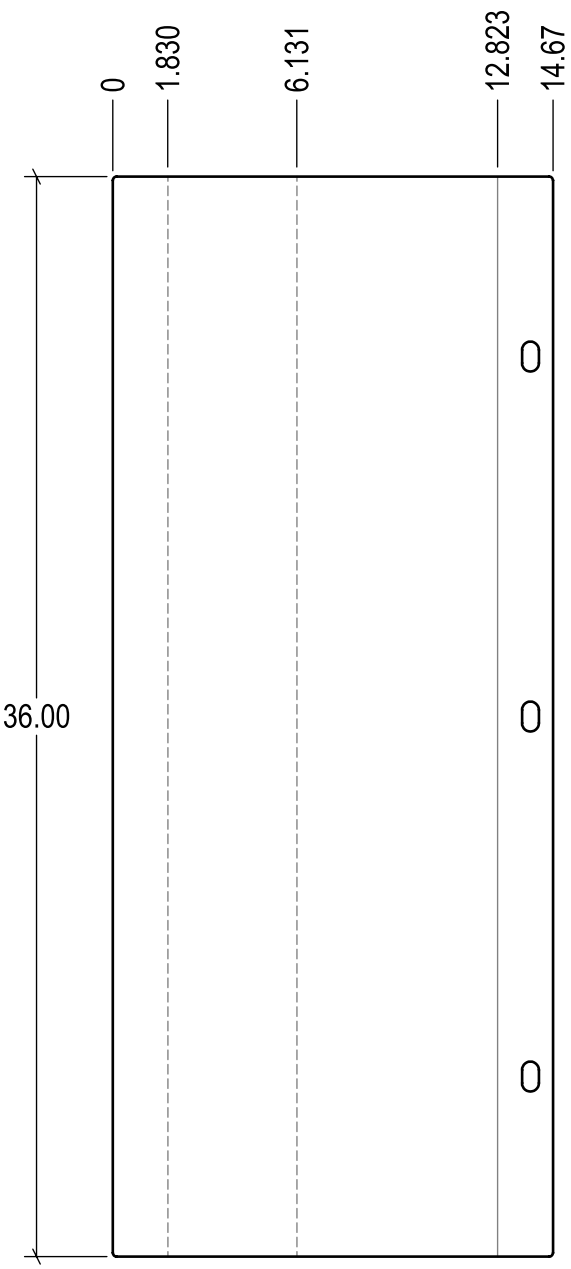
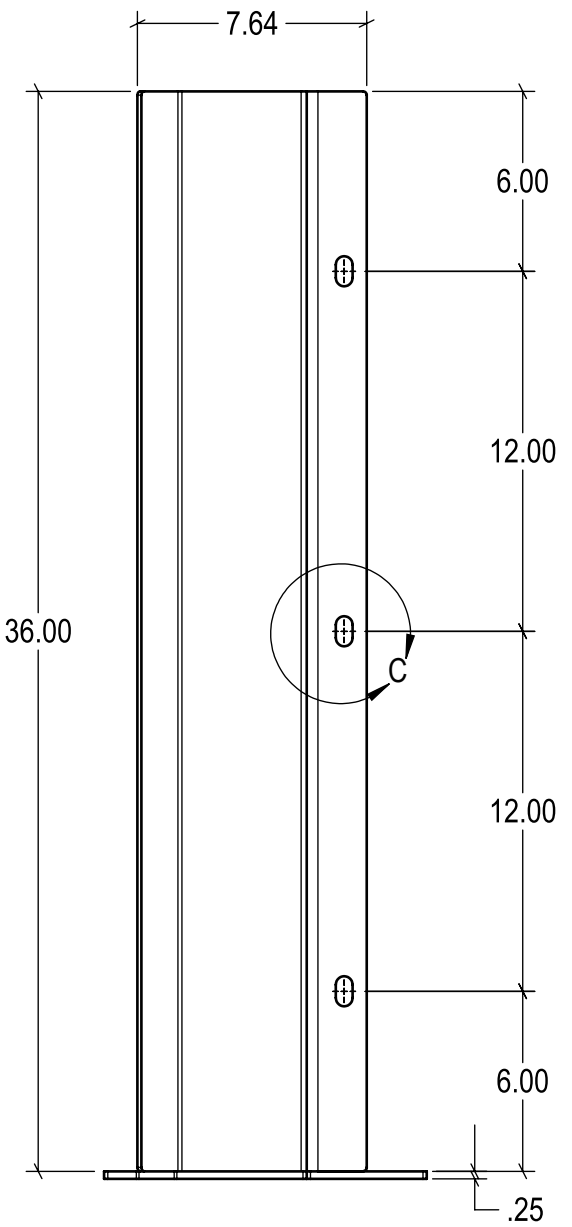


DETAIL A
SCALE 1 : 4



DETAIL C
SCALE 1 : 4



WEIGHT: 31.59 lb

		SIZE: B	
DESCRIPTION: Track Protector 36"x3/16" w/45 Deg Bend, Flat Top, Base(L)			
SCALE: 5:32	SHEETS: 1 of 1	DRAWING NUMBER: 60-5093	REV: 1