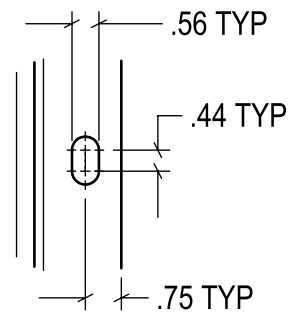
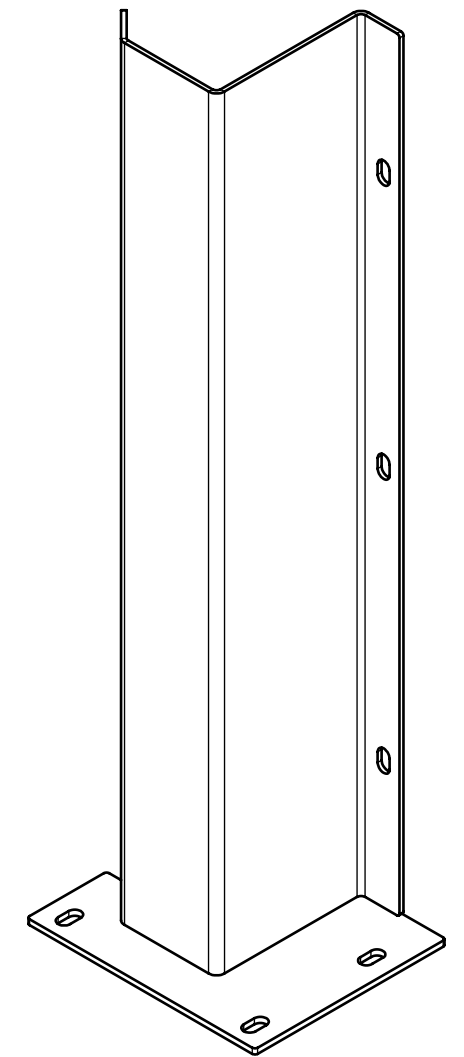
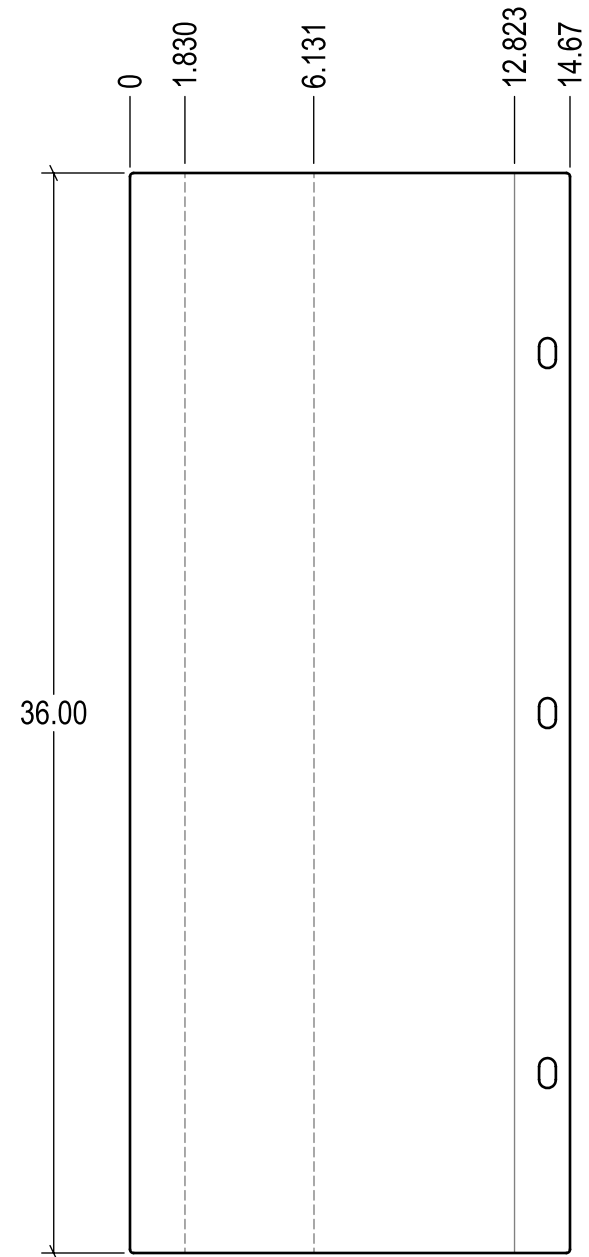
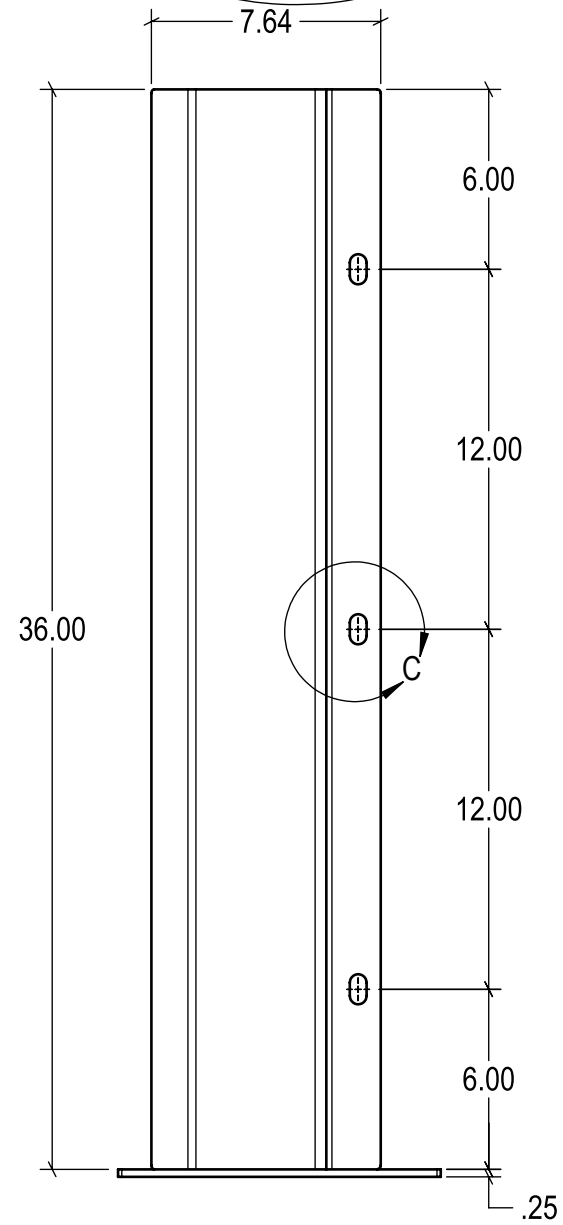


DETAIL A
SCALE 1 : 4



DETAIL C
SCALE 1 : 4



WEIGHT: 31.59 lbs

	3rd Angle SIZE: B			
	DESCRIPTION: Track Protector 36"x3/16" w/45 Deg Bend, Flat Top, Base(R)			
SCALE: 5:32	SHEETS: 1 of 1	DRAWING NUMBER: 60-5092	REV: 1	