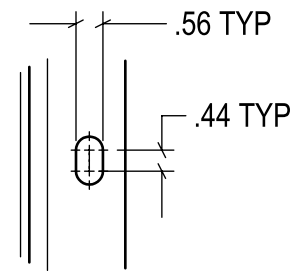
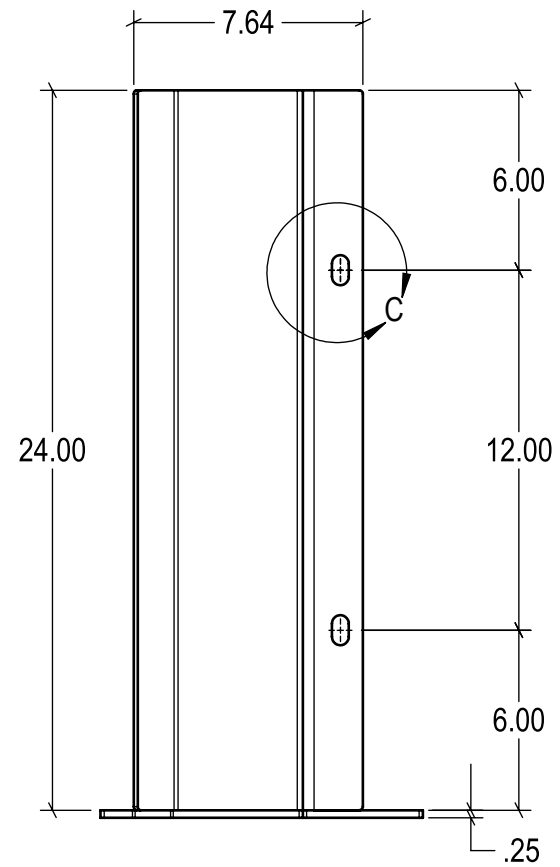
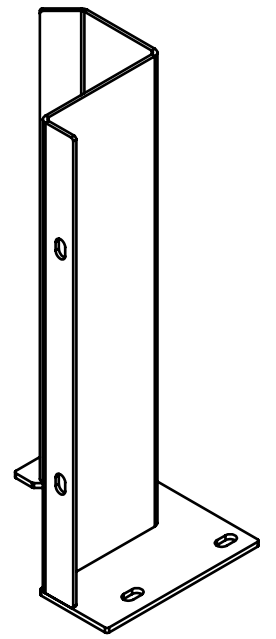
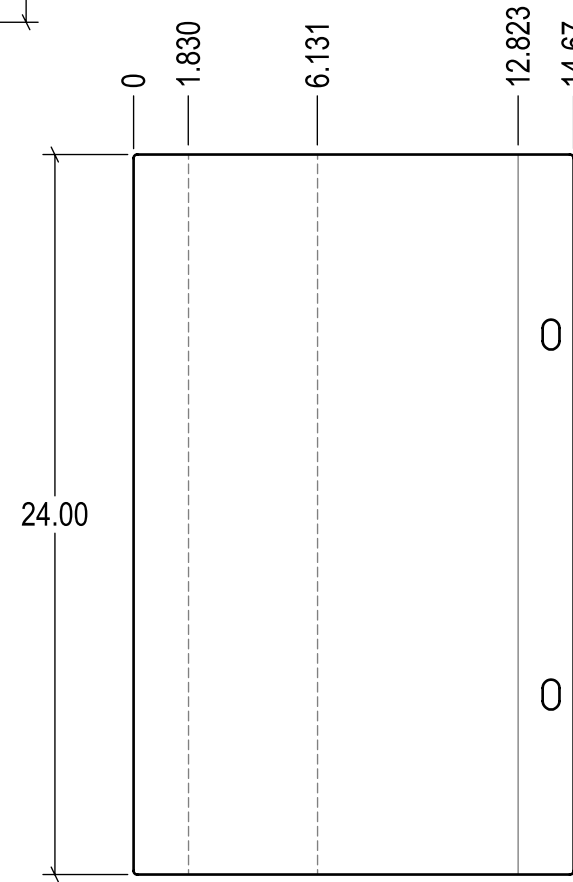


DETAIL A
SCALE 1 : 4



DETAIL C
SCALE 1 : 4



WEIGHT: 22.31 lb

	3rd Angle	SIZE:			
		B			
		DESCRIPTION:			
		Track Protector 24"x3/16" w/45 Deg Bend, Flat Top, Base(L)			
SCALE:	SHEETS:	DRAWING NUMBER:		REV:	
5:32	1 of 1	60-5091		1	