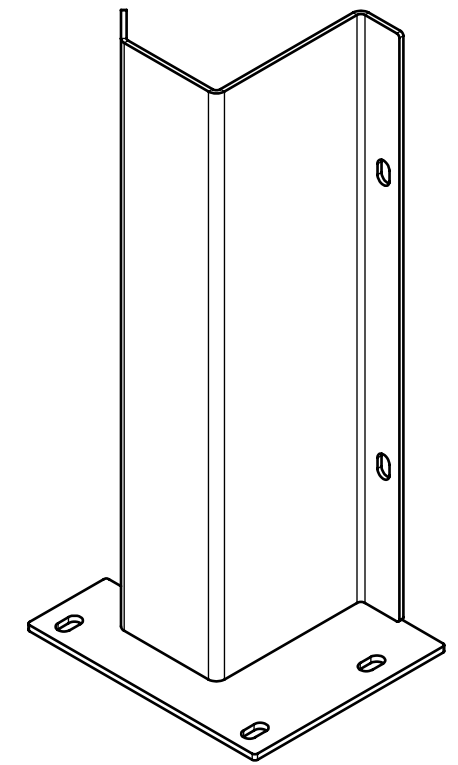
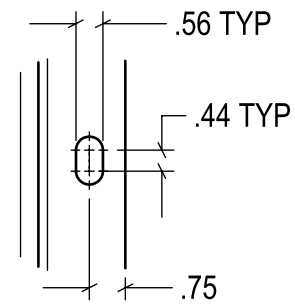
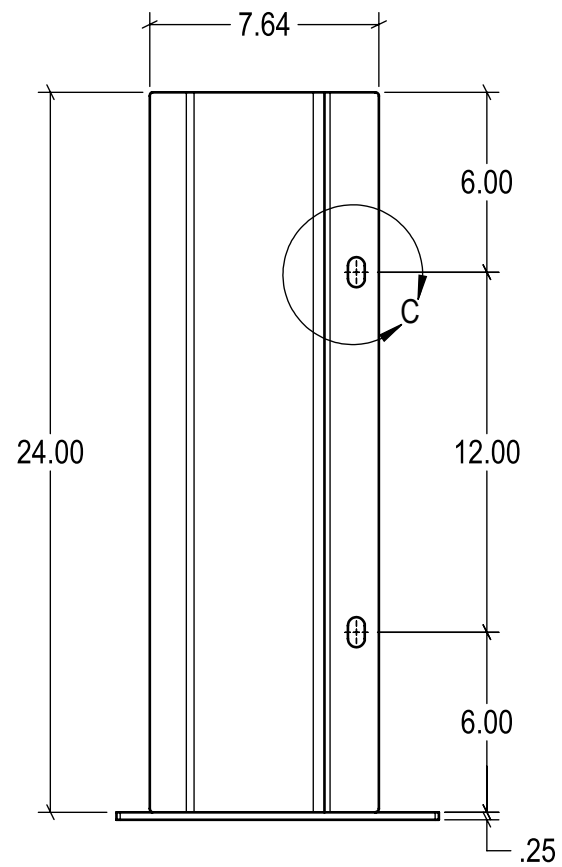


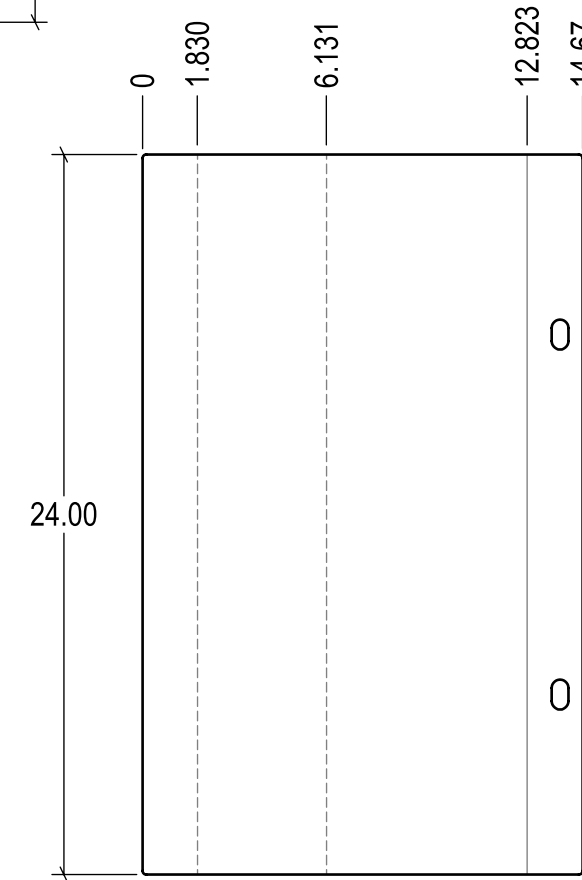
DETAIL A
SCALE 1 : 4



WEIGHT: 22.31 lbs



DETAIL C
SCALE 1 : 4



		3rd Angle SIZE: B		
		DESCRIPTION: Track Protector 24"x3/16" w/45 Deg Bend, Flat Top, Base(R)		
SCALE: 5:32	SHEETS: 1 of 1	DRAWING NUMBER: 60-5090	REV: 1	