

TCIL LED SERIES

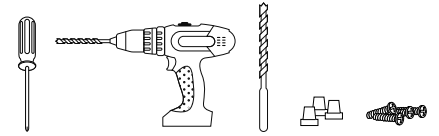
Installation Instructions

Voltage

This sign operates within an input range of 120VAC to 277VAC.

What You Need:

- Phillips Head Screw Driver
- Drill with a 5/16" and 7/8" drill bit
(not supplied)
- (4) Appropriate Wall Fasteners
(not supplied)
- Wire Connectors
- Control Switch
(ordered separately)



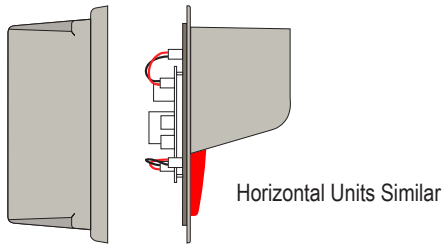
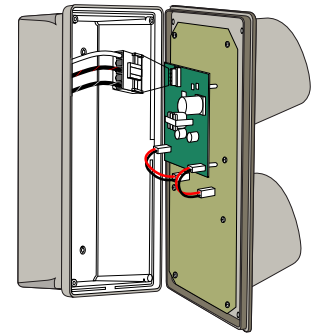
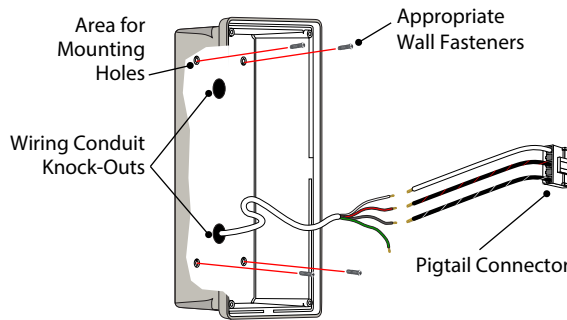
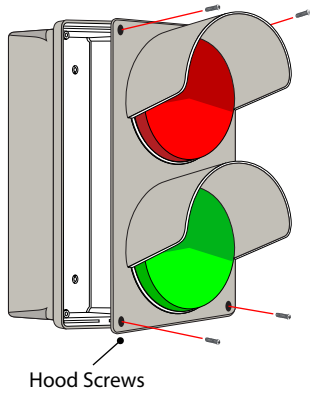
Always turn off the power prior to installation.



Be sure any metal debris cleared out of the cabinet.

Installation Steps

1. Remove the hood from the housing by unscrewing the four retaining screws on the front of the unit.
2. Use a 5/16" drill bit to drill (4) four holes in the housing for mounting fasteners and a 7/8" drill bit for conduit.
3. For Surface Mounting
Mount the housing securely to the surface using four appropriate fasteners (not supplied).
5. Disconnect the wiring pigtail from the circuit board to make wiring connections, see diagram on back
6. Plug pigtail into the circuit board and replace the hood and the four retaining screws removed in step 1.

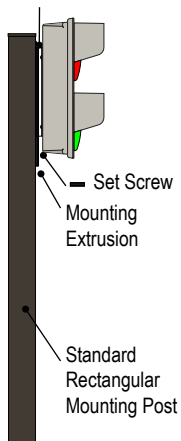


Note: Do not over-tighten fasteners or distort back panel.

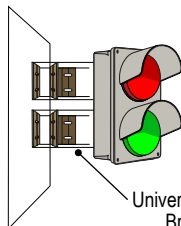
Note: This sign is intended to be installed in accordance with the requirements of Article 600 of the National Electric Code and/or other applicable local codes. This includes proper grounding and bonding of the sign.

Wall Mounting Dimensions

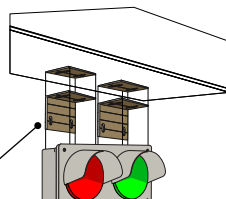
Mounting Options



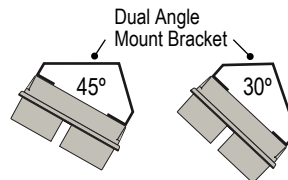
Post Mount



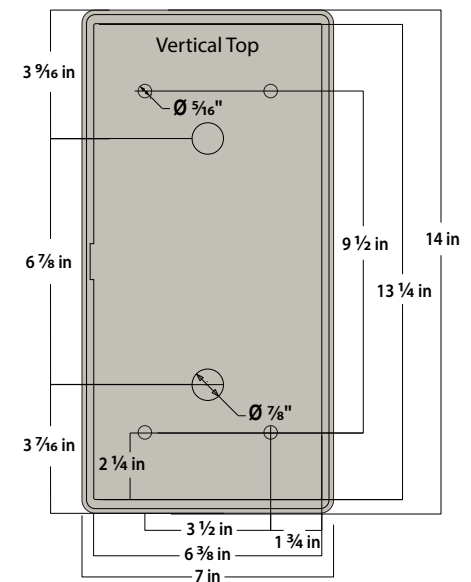
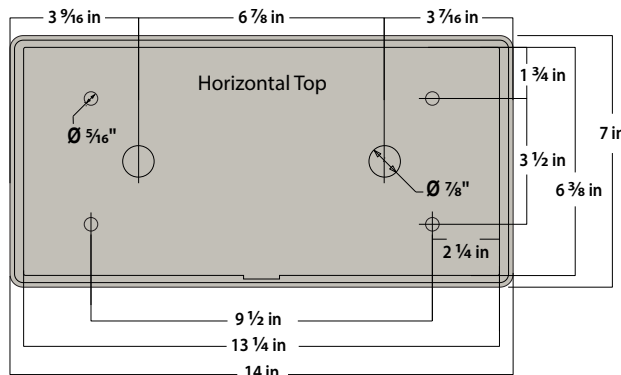
Side Mount



Ceiling Mount

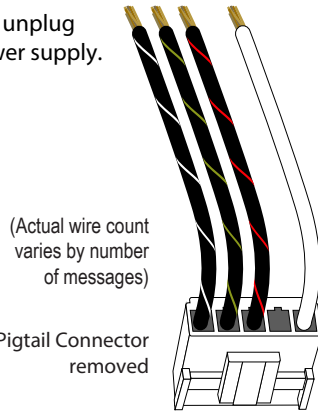
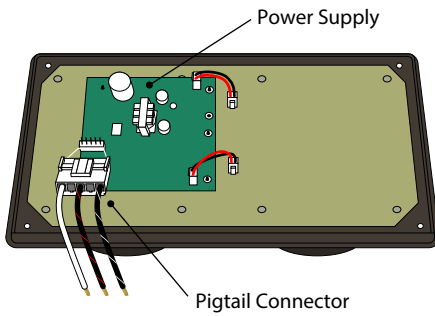


Angle Mount



Making your Wiring Connections

1. To make your electrical connections easier, gently unplug the supplied wired pigtail connector from the power supply.



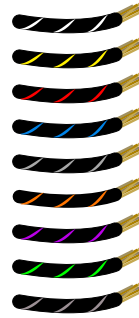
2. With your incoming power already running through the mounted back you can easily make all connections to the pigtail using wire connectors. (See table below for general wiring guidelines)
3. Plug the pigtail connector back into the power supply to finish off the electrical part of your installation. The connector is "keyed" and can only be installed in one orientation
4. You're done with the electrical! Time to close up the sign by pushing the cabinet closed and replacing the two screws you removed from the bottom of the cabinet.



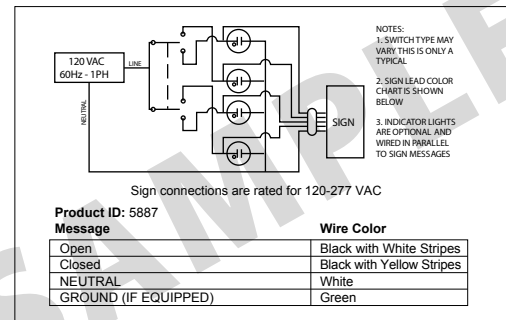
Note: Make appropriate wiring connections per local code.

General Wiring Guidelines*

Number of Messages	Typical Wire (Lead) Colors
Message 1	Black with White Stripes
Message 2	Black with Yellow Stripes
Message 3	Black with Red Stripes
Message 4	Black with Blue Stripes
Message 5	Black with Gray Stripes
Message 6	Black with Orange Stripes
Message 7	Black with Purple Stripes
Message 8	Black with Green Stripes
Message 9	Black with Brown Stripes



Wiring Label Sample for a typical 2 Message OPEN | CLOSED Sign



Note: Refer to the wiring label inside the sign for the specific instructions on wiring your sign.



Note: Make appropriate wiring connections per local code.

Note: Any holes drilled into sign cabinet MUST be sealed. Failure to do so may cause a short and void warranty.

Note: This sign is intended to be installed in accordance with the requirements of Article 600 of the National Electric Code and/or other applicable local codes. This includes proper grounding and bonding of the sign.

Note: This unit contains a built-in CLASS 2 LED driver.

WARNING - Risk of Fire or Electric Shock. Do Not interconnect output terminations.

AVERTISSEMENT - Risque d'incendie ou de choc électrique. Ne pas interconnecter les terminaisons de sortie.

Normal Operation

There is one (1) LED on the power supply located close to the connector with the Red and Black wires. This LED marked V OUT, will illuminate green when 120 - 277VAC power is applied to the Pigtail.

Check the LED on each power supply since there may be more than one power supply per message.



Note: Transformer on power supply converts 120 - 277VAC to 12V.

