

## PRODUCT ID: 3040

Switch

### MODEL

SG2 SPST/120VAC

### DIMENSIONS

4.5" H x 2.75" W x 1" D (est. 1 lbs)

### CONSTRUCTION

**Finish:** Switch plate brushed stainless steel

**Switch:** Switch with pre-wired pigtails and indicator lights

**Switch plate:** Stamped stainless steel pre-punched for switch(es) and indicator light(s)

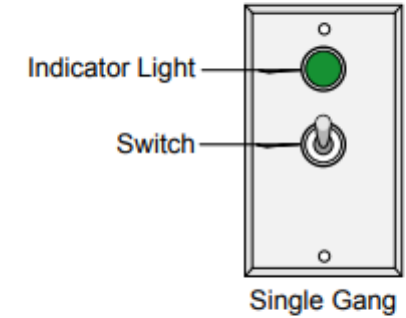
### ELECTRICAL

**Input Voltage:** 120VAC

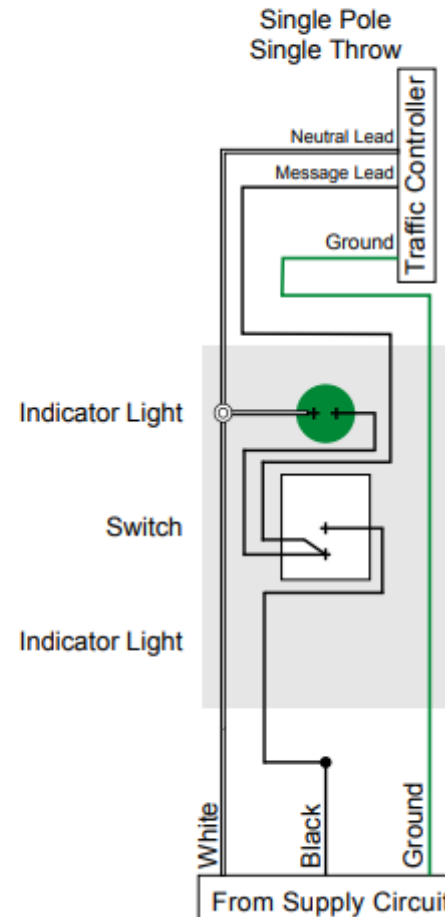
## Product View

NOTE: Sign image may not exactly represent the finished product. For illustration purposes only.

### Front View



### Schematic View



**TRAFFIC SAFETY WAREHOUSE**  
The Best in Safety for Less

TrafficSafetyWarehouse.com

(847) 966-1018