

## PRODUCT ID: 3039

Switch

### MODEL

SG3 SPDT/120VAC

### DIMENSIONS

4.5" H x 2.75" W x 1" D (est. 0.241 lbs)

### CONSTRUCTION

**Finish:** Switch plate brushed stainless steel

**Switch:** Switch with pre-wired pigtails and indicator lights

**Switch plate:** Stamped stainless steel pre-punched for switch(es) and indicator light(s)

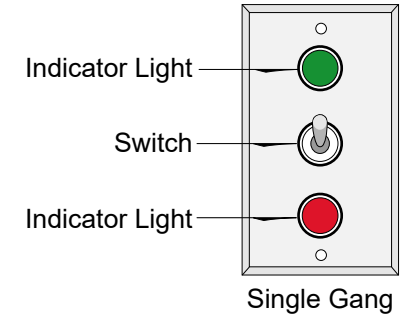
### ELECTRICAL

Input Voltage: 120VAC

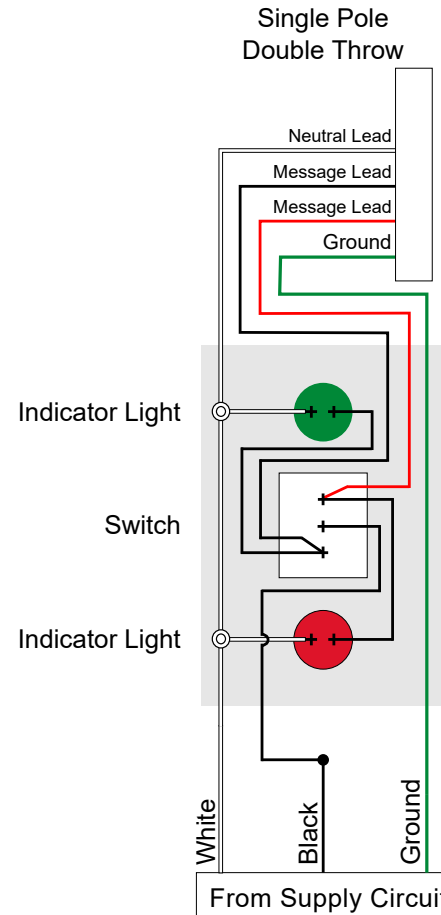
## Product View

NOTE: Sign image may not exactly represent the finished product. For illustration purposes only.

### Front View



## Schematic View



**TRAFFIC SAFETY WAREHOUSE**  
The Best in Safety for Less

TrafficSafetyWarehouse.com

(847) 966-1018