

## PRODUCT ID: 29128

### Recessed Frame

#### MODEL

RF147

#### DIMENSIONS

17" H x 10" W x 1.5" D (est. 2.189 lbs)

#### CONSTRUCTION

Finish: Duranodic Bronze

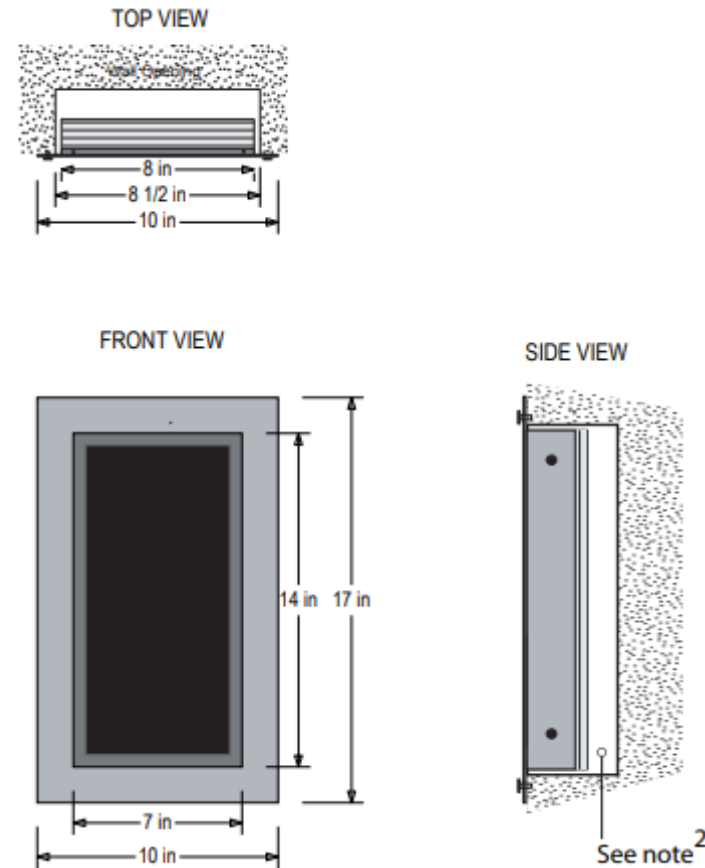
Material: Formed 1/8" CNC routed aluminum. Holes for mounting sign pre-drilled.

#### INSTALLATION

Note: Wall opening should be 0.5" larger than sign OD

## Product View

NOTE: Sign image may not exactly represent the finished product. For illustration purposes only.



Note<sup>2</sup>: Allow clearance behind sign per local code or per electrical fittings.

**TRAFFIC SAFETY WAREHOUSE**  
The Best in Safety for Less

TrafficSafetyWarehouse.com

(847) 966-1018