

PRODUCT ID: 2890

Post

MODEL

P90B

DIMENSIONS

90" H x 6" W x 6" D (est. 13.578 lbs)

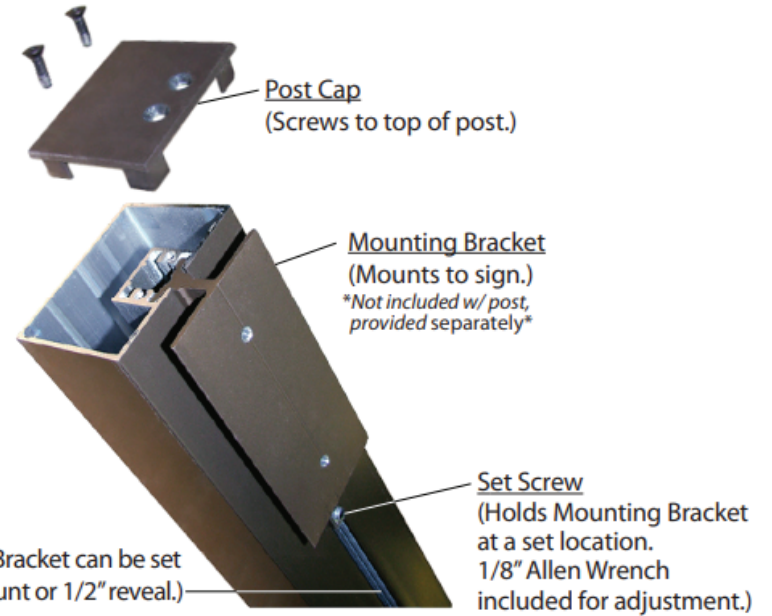
CONSTRUCTION

Finish: Duranodic Bronze

Material: 2 1/4" x 3" extruded aluminum post with one sign mounting channel, end cap and 6" sq. welded aluminum base plate. Base plate is 3/16" thick with pre-drilled anchoring holes. Sign mounting hardware and set screw for securing sign to post included.

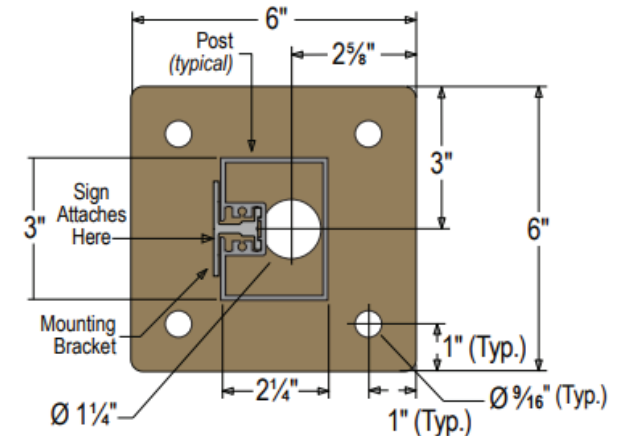
Product View

NOTE: Sign image may not exactly represent the finished product. For illustration purposes only.



Post Slot
(Mounting Bracket can be set to flush mount or 1/2" reveal.)

Baseplate Detail



TRAFFIC SAFETY WAREHOUSE
The Best in Safety for Less

TrafficSafetyWarehouse.com

(847) 966-1018